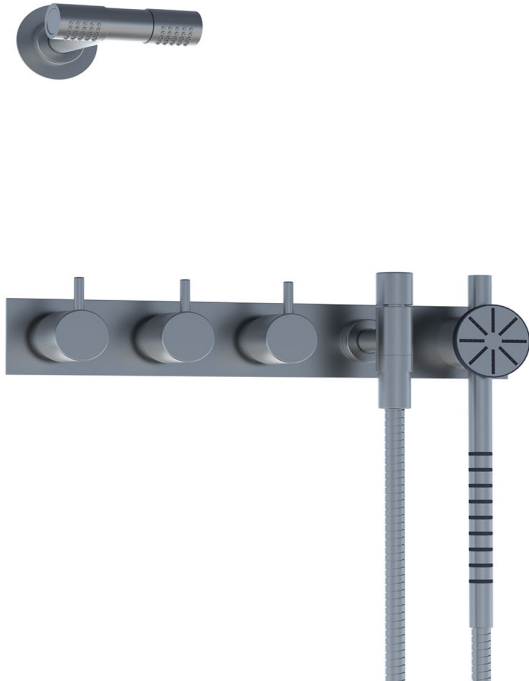


Date:

Client:

Project:

VOLA product: 875S-081D



875S-081D

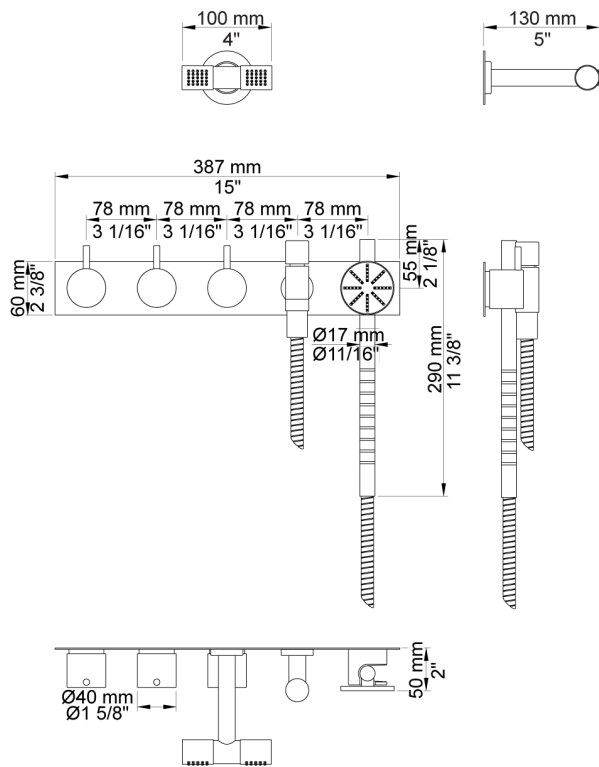
Two-handle build-in mixer with ¼ turn ceramic disc technology and diverter. 875S-081DUP = Mixer 800N. 875S-081DAP = 2 pcs. handles NR17, handle NR19G, hand shower and hand shower holder with non-return valve 070S, hose 1500 mm, 115 mm double head shower 080D, five-hole plate 60 x 387 mm 005.

Flow

	Bar:	1.0	2.0	3.0	4.0	5.0
080 ¹⁾	(l/min)	14.4	20.4	25.0	28.9	32.3
070S ²⁾	(l/min)	6.9	9.8	12.0	13.9	15.5

¹⁾ USA: Flow restricted to 1.8 gpm (7.0 l/min)

²⁾ USA: Flow restricted to 2.0 gpm (7.6 l/min)



Available in colors

- Color 16, Polished chrome
- Color 19, Natural brass
- Color 20, Brushed chrome
- Color 40, Brushed stainless steel

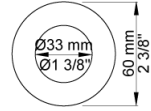
Date:

Client:

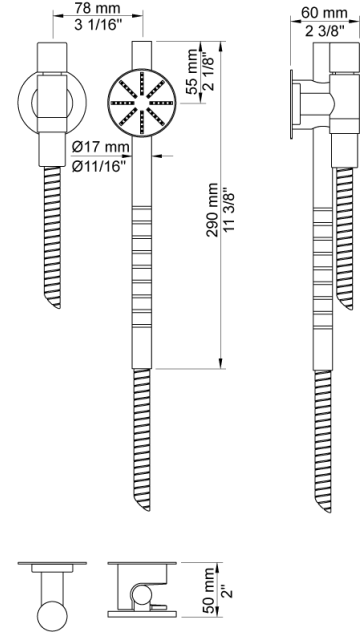
Project:



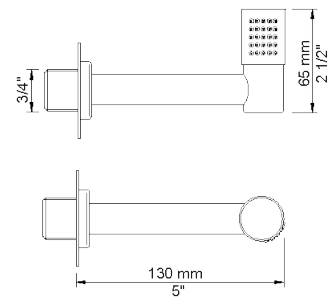
001
60 mm circular flange. Hole Ø33 mm.



070S
Hand shower, hand shower holder and hose with non-return valve.



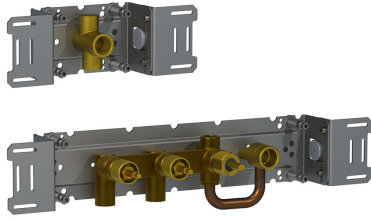
080
130 mm head shower. 60 mm cover flange included.



Date:

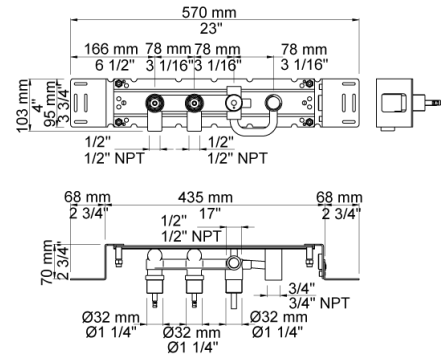
Client:

Project:



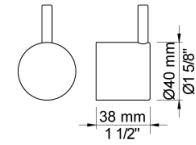
800N

Two-handle build-in mixer with diverter, including one fixed and one separate outlet socket, 200M. 1/2" connection to copper, steel, iron or pex pipe work.



NR17

Operating handle for 600, 700, 800, 900, 1500, 2800, 2900, S20, S21, S40, S42 incl. variants. Ø40 mm.



NR19G

Diverter handle for 400 and 800 incl. variants. Ø40 mm. With peg in the same colour as handle(standard).

