

Finoris
Single lever shower mixer for exposed installation
 Surfaces: **Matt White** Article Number: **76620700**



Description

product features

- 1 function
- connection type: s-shaped connections
- centre distance: 150 ± 12 mm
- maximum flow rate at 3 bar: 12,1 l/min
- flow rate of hand shower at 3 bar: 12,1 l/min
- ceramic cartridge
- min. operating pressure: 1 bar
- max. operating pressure: 10 bar
- non-return valve
- with silencer
- hose connection DN15
- connection dimension: DN15

Design awards

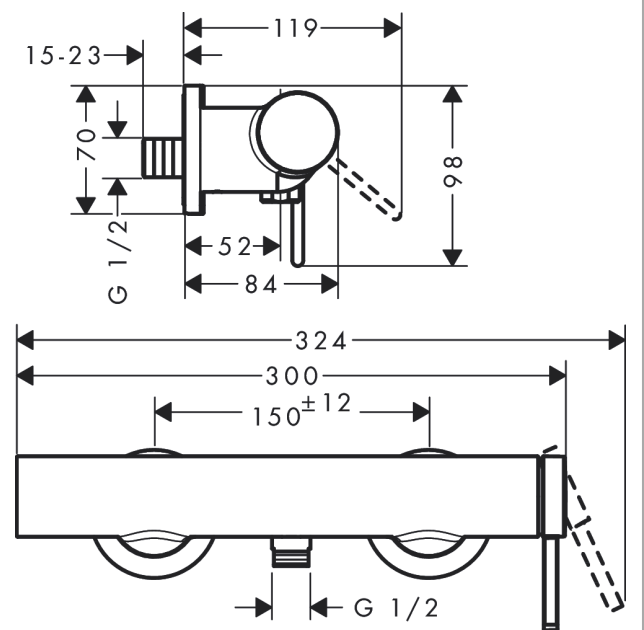


reddot winner 2021

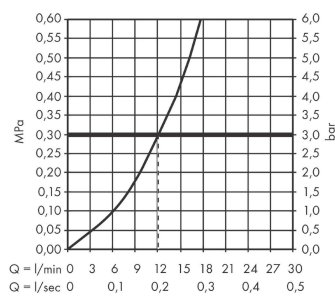
Product image



Scale drawing



Flowchart

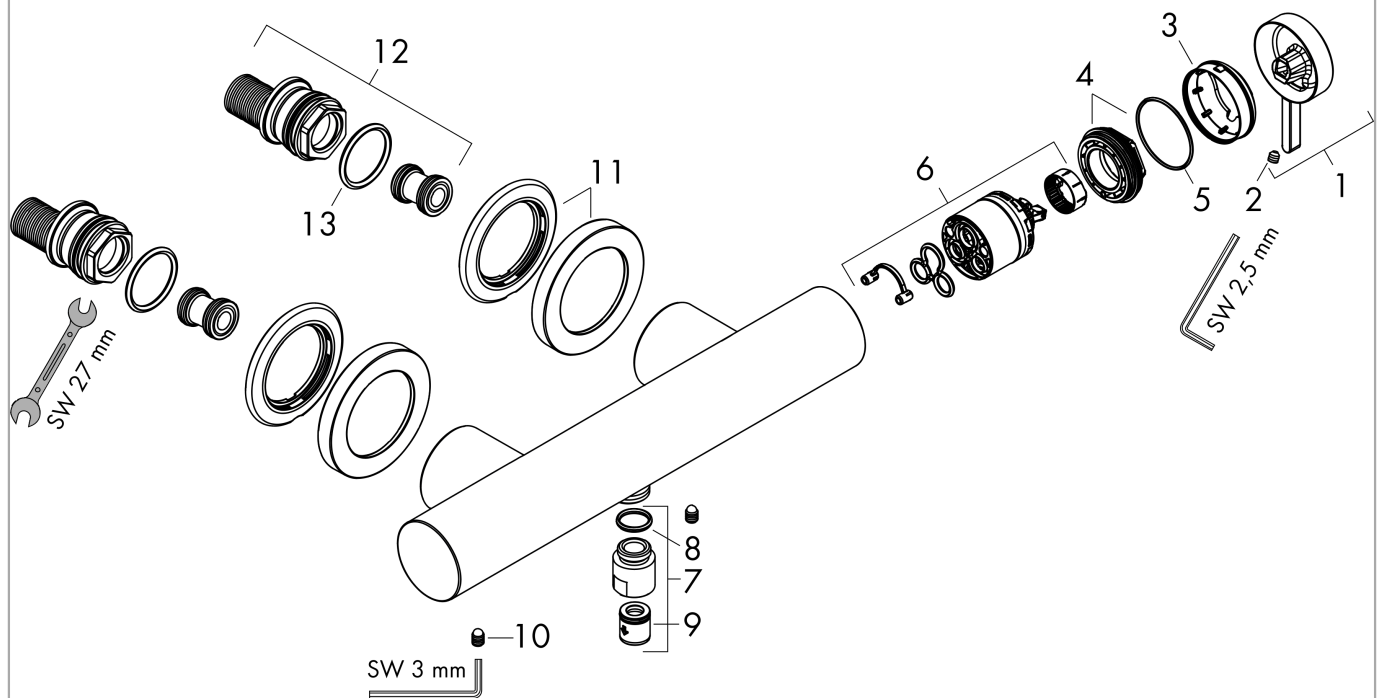


Finoris
Single lever shower mixer for exposed installation
 Surfaces: **Matt White** Article Number: **76620700**



Exploded Drawing

Year of production: >06/21



Finoris**Single lever shower mixer for exposed installation**Surfaces: **Matt White** Article Number: **76620700****Spare part list**

Year of production: >06/21

Pos.	Description	Article Number	Price	PU
1	handle	94371700	-	1
2	hollow set screw M5x5	98446000	-	1
3	flange	94370700	-	1
4	nut	93995000	-	1
5	O-ring 35x1,5	92114000	-	1
6	cartridge, assy	93895000	-	1
7	connecting thread	95392000	-	1
8	O-ring 14x2	98129000	-	1
9	set of non return valves DW 15	94074000	-	1
10	screw	94366000	-	1
11	escutcheon Ø 70 mm	94365700	-	1
12	set of S-unions	95772000	-	1
13	O-ring 29x3	98371000	-	1