

AXOR ShowerSolutions
Overhead shower 250/250 2jet ceiling-exposed
 Surfaces: **Chrome** Article Number: **35313000**



Description

product features

- shower head size: 250 x 250 mm
- spray type: PowderRain, Intense PowderRain
- flow rate Intense PowderRain (at 3bar): 16 l/min
- flow rate PowderRain (at 3 bar): 19 l/min
- Select button on thermostat
- dynamic spray nozzles move out while using
- fully chrome-plated spray disc
- material spray disc: metal
- overhead shower for cleaning removable
- installation: ceiling - exposed
- connection dimension: DN15

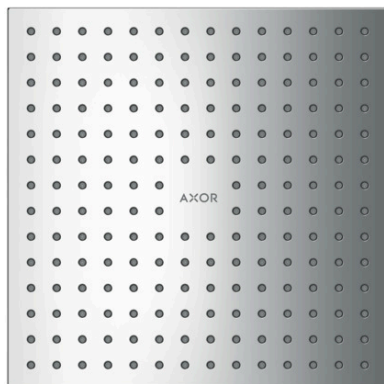
Technology



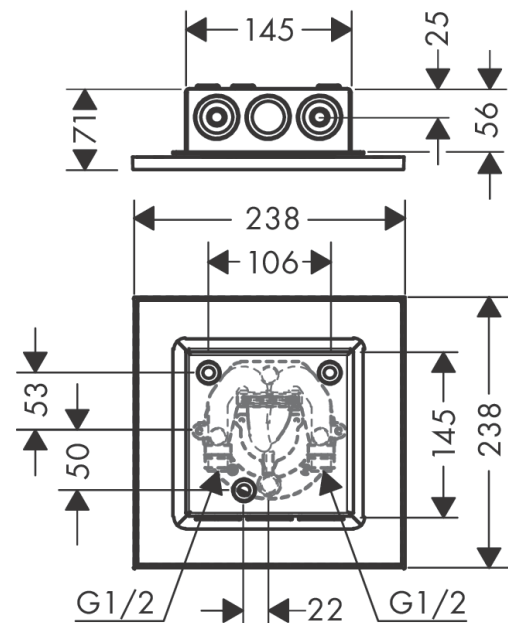
Design awards



Product image



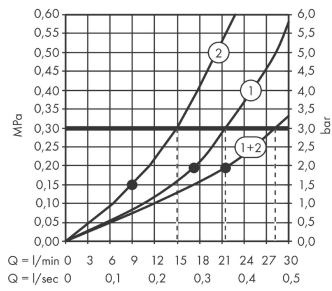
Scale drawing



AXOR ShowerSolutions
Overhead shower 250/250 2jet ceiling-exposed
 Surfaces: **Chrome** Article Number: **35313000**



Flowchart

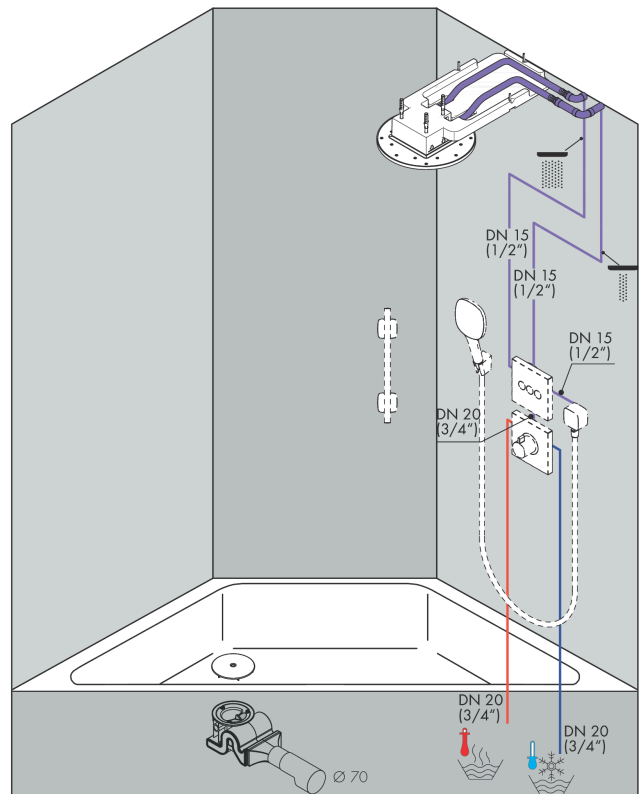
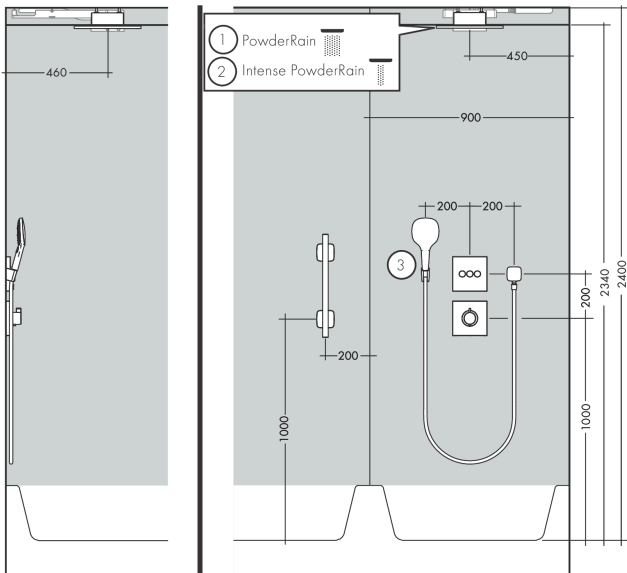
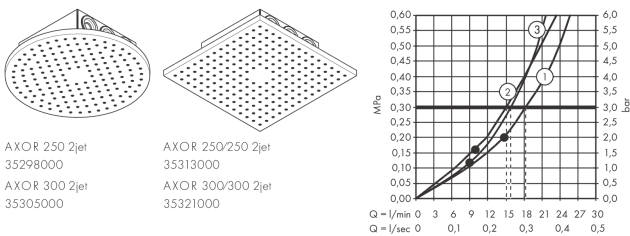


The consumption was measured in combination with the appropriate fittings (thermostat/mixer/ in-wall valve) to reflect actual application in practice.

AXOR ShowerSolutions
Overhead shower 250/250 2jet ceiling-exposed
 Surfaces: **Chrome** Article Number: **35313000**



Installation examples

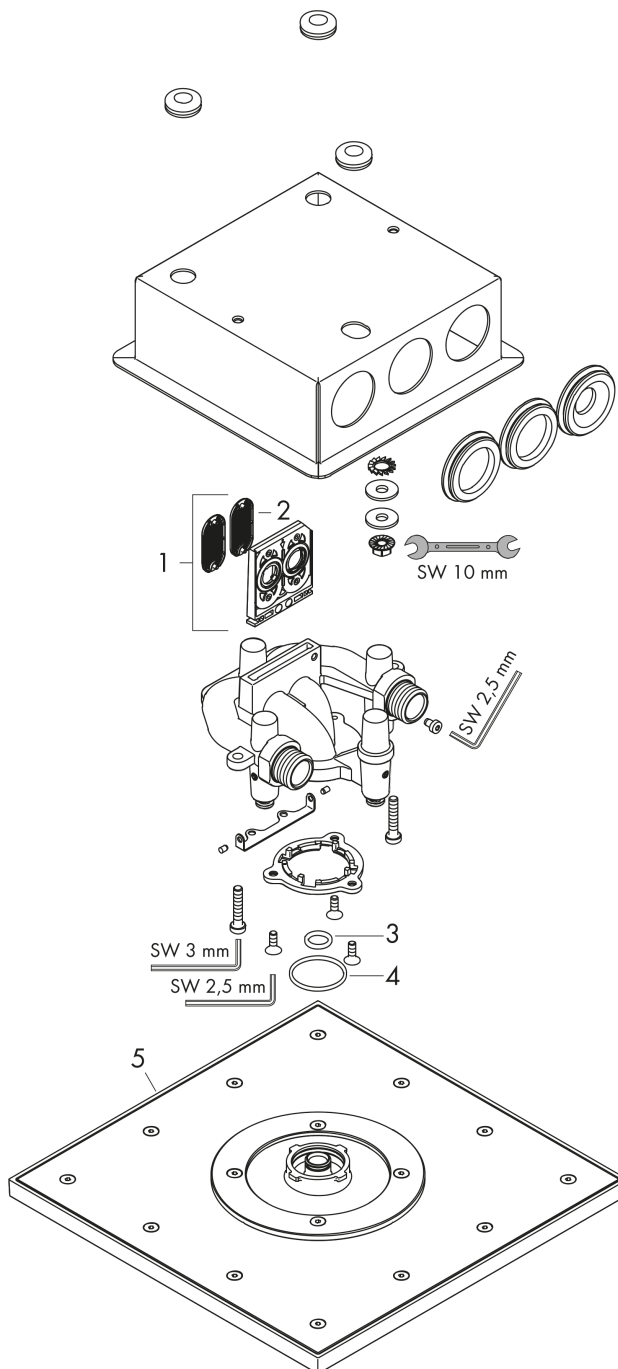


AXOR ShowerSolutions
Overhead shower 250/250 2jet ceiling-exposed
Surfaces: **Chrome** Article Number: **35313000**



Exploded Drawing

Year of production: >02/19



AXOR ShowerSolutions
Overhead shower 250/250 2jet ceiling-exposed
 Surfaces: **Chrome** Article Number: **35313000**



Spare part list

Year of production: >02/19

Pos.	Description	Article Number	PC	PU
1	service unit	93423000	0	1
2	filter	93402000	0	1
3	O-ring 11x2	98127000	0	1
4	O-Ring 28x2	98194000	0	1
5	head shower	93458000	0	1