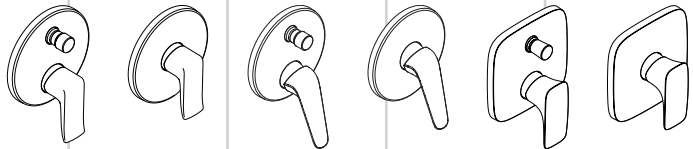
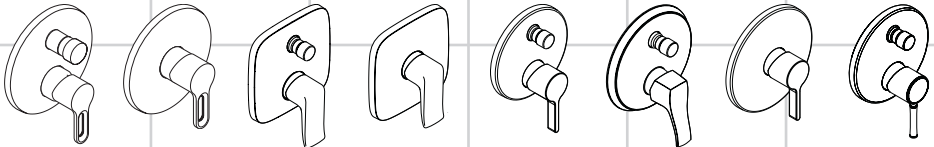


ZH 用户手册 / 组装说明 **2**

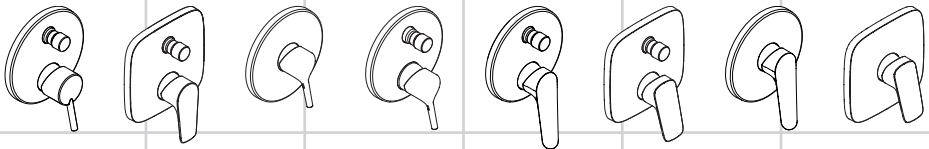
EN Instructions for use / assembly instructions **3**



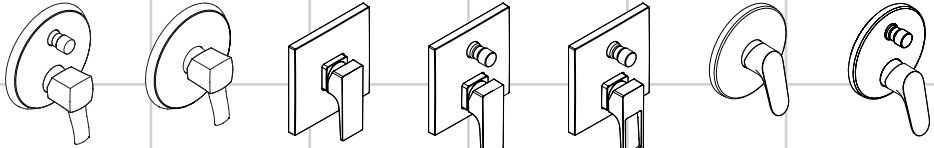
Metris 31493007 **Metris** 31685007 **Novus** 71045007 **Novus** 71065007 **普丽唯** **PuraVida** 15445007 **普丽唯** **PuraVida** 15665407
15445407



Metris S 14437007 **Metris S** 14637007 **Metris** 31454007 **Metris** 31456007 **Metris S** 31465007 **Metris Classic** 31485007 **Metris S** 31665007 **Talis Classic** 14145007



Talis S 32475007 **Talis E** 71745007 **Talis S** 72605007 **Talis S** 72405007 **Logis E** 71404007 **Logis** 71405007 **Logis E** 71603007 **Logis** 71605007



Metropol Classic 31345007 **Metropol Classic** 31365007 **Metropol** 32565007 **Metropol** 32545007 **Metropol** 74545007 **Focus** 31965007 **Focus** 31945007
31345097 31365097



安全技巧

- △ 装配时为避免挤压和切割受伤，必须戴上手套。
- △ 该产品不得作扶柄使用。必须安装单独的扶柄。
- △ 冷热水管间过大的压力差必须予以平衡。

安装提示

- 安装前必须检查产品是否受到运输损害。安装后将不认可运输损害或表面损伤。
- 管道和阀门必须根据通用标准进行安装、冲洗和检查。
- 请遵守当地国家现行的安装规定。

技术参数

工作压力:	最大 1 MPa
推荐工作压力:	0,1 - 0,5 MPa
测试压强:	1,6 MPa
(1 MPa = 10 bar = 147 PSI)	
热水温度:	最大 70°C
推荐热水温度:	65°C
热力消毒:	最大 70°C / 4 分钟

该产品专为饮用水设计！

符号说明

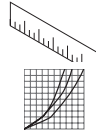


请勿使用含有乙酸的硅胶！

调节 (参见第页 6)

热水温度调节。如果使用即热式喷头，则不建议安装热水阀门。

大小 (参见第页 7)

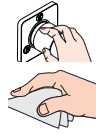


流量示意图

(参见第页 10)

- ① 莲蓬头岔管 (时的流速)
- ② 面盆岔管 (时的流速)

操作 (参见第页 11)



清洗 (参见第页 12)

备用零件 (参见第页 14)



选装附件

(不在供货范围内)

加长件 (参见第页 14)



#13597000, #13595000, #13596000,
#13597000, #13593000

问题	原因	补救
龙头不灵活	- 阀芯损坏, 结垢	- 更换阀芯
龙头滴水	- 阀芯损坏	- 更换阀芯
热水温度过低, 没有冷水。选择冷水时, 热水器启动。	- 热水控制器设置错误 - 交叉流动	- 设置热水控制器 - 更换阀芯
分流器不工作	- 沉积物 - 水压过低 - 分流器损坏	- 清洁分流器 / 给 O 形环上油 - 增加水压 - 更换分流器



安装 参见第页 4



Safety Notes

- △ Gloves should be worn during installation to prevent crushing and cutting injuries.
- △ The product may not be used as a holding handle. A separate handle must be installed.
- △ The hot and cold supplies must be of equal pressures.

Installation Instructions

- Prior to installation, inspect the product for transport damages. After it has been installed, no transport or surface damage will be honoured.
- The pipes and the fixture must be installed, flushed and tested as per the applicable standards.
- The plumbing codes applicable in the respective countries must be observed.

Technical Data

Operating pressure:	max. 1 MPa
Recommended operating pressure:	0,1 - 0,5 MPa
Test pressure:	1,6 MPa
(1 MPa = 10 bar = 147 PSI)	
Hot water temperature:	max. 70 °C
Recommended hot water temp.:	65 °C
Thermal disinfection:	max. 70 °C / 4 min

The product is exclusively designed for drinking water!

Symbol description



Do not use silicone containing acetic acid!



Adjustment (see page 6)

To adjust the hot water limiter. Using a hot water limiter in combination with a continuous flow water heater is not recommended.



Dimensions (see page 7)



Flow diagram

(see page 10)

- ① Shower outlet (free flow)
- ② Tub outlet free flow



Operation (see page 11)



Cleaning (see page 12)



Spare parts (see page 14)

Special accessories

(order as an extra)

extension (see page 14)

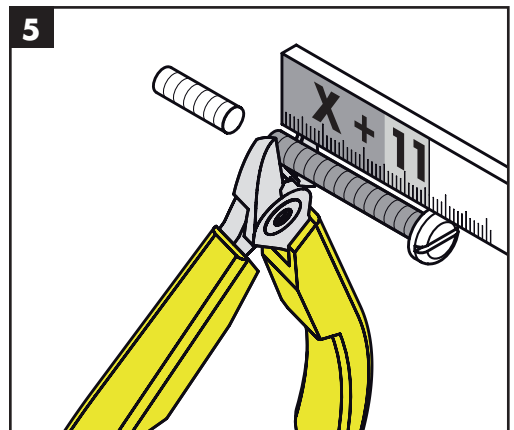
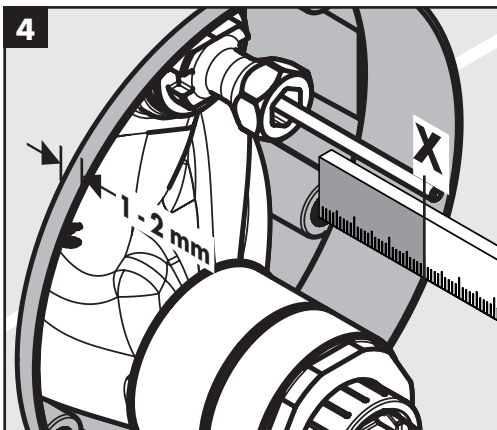
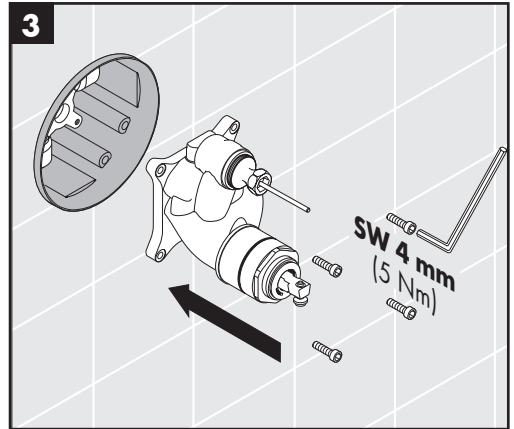
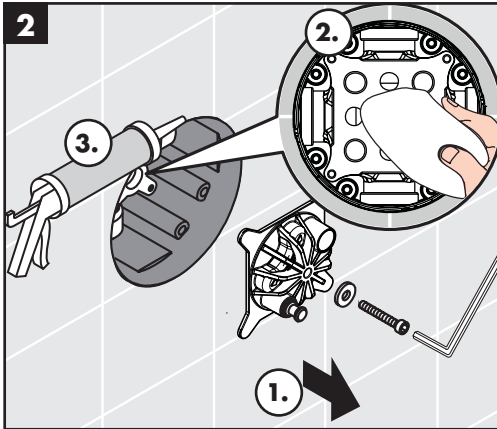
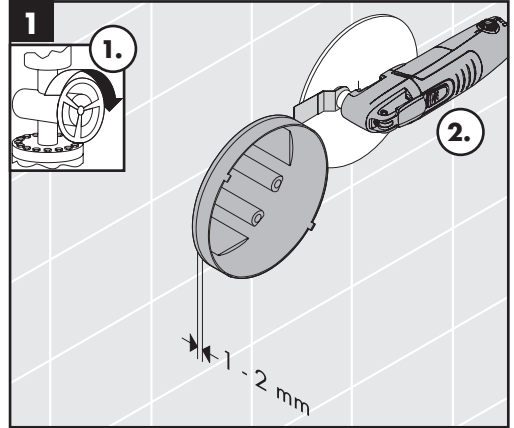
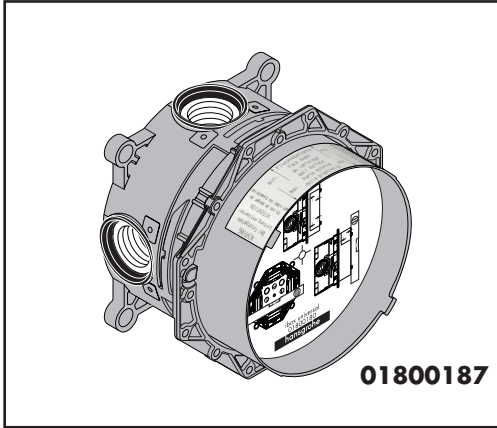
#13597000, #13595000, #13596000,
#13597000, #13593000

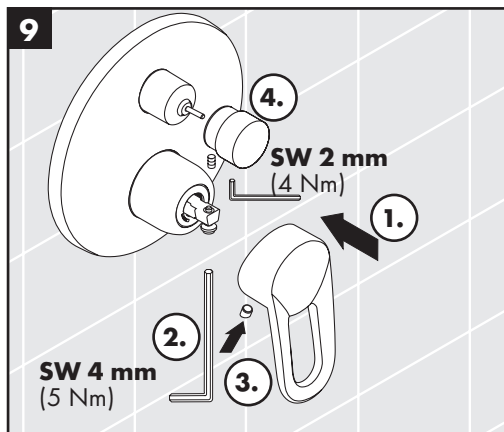
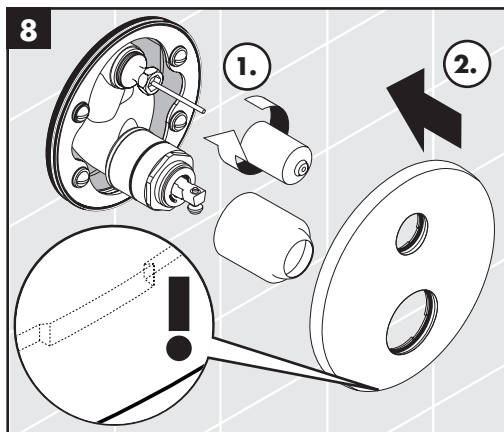
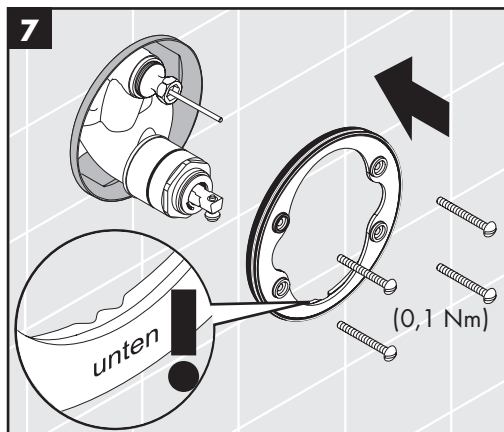
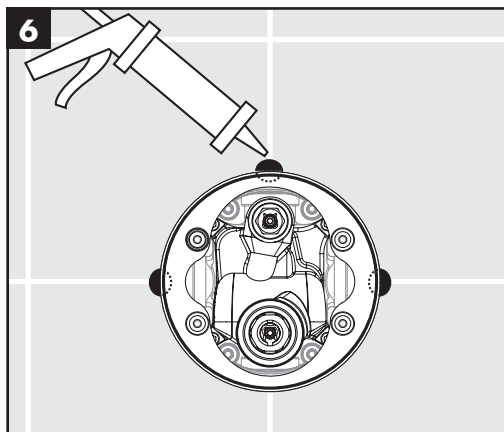


Fault	Cause	Remedy
Mixer stiff	- Cartridge defective, calcified	- Exchange cartridge
Mixer dripping	- Cartridge defective	- Exchange cartridge
Hot water temperature too low, no cold water. Instantaneous water heater starts up when cold water is selected.	- Hot water limiter incorrectly set	- Set hot water limiter
	- Crossflow	- Exchange cartridge
Diverter not operating	- Residue	- Clean converter / grease O-rings
	- Water pressure to low	- Increase water pressure
	- Diverter defective	- Exchange diverter



Assembly see page 4







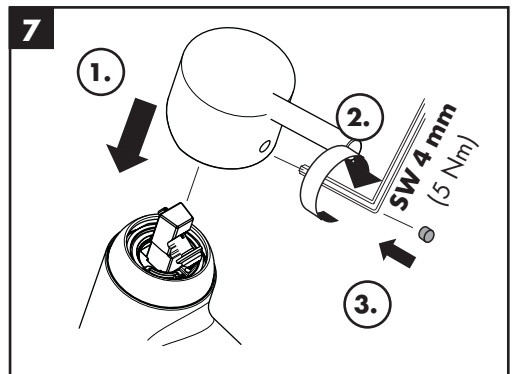
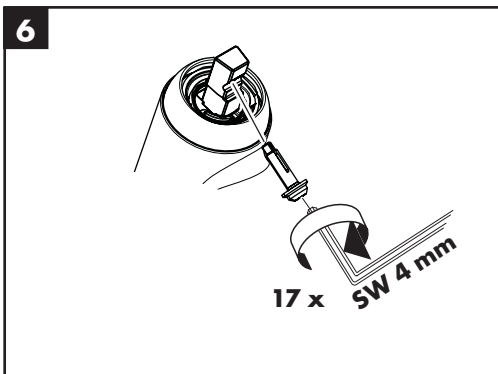
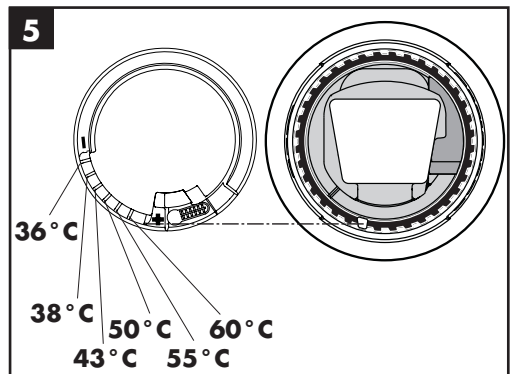
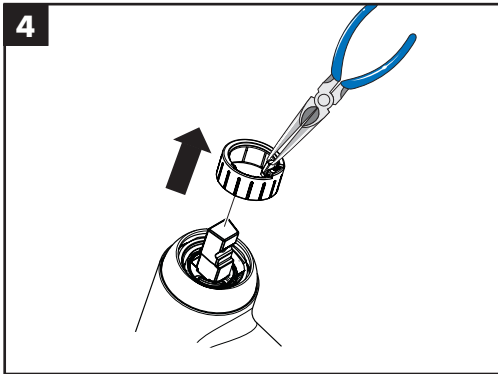
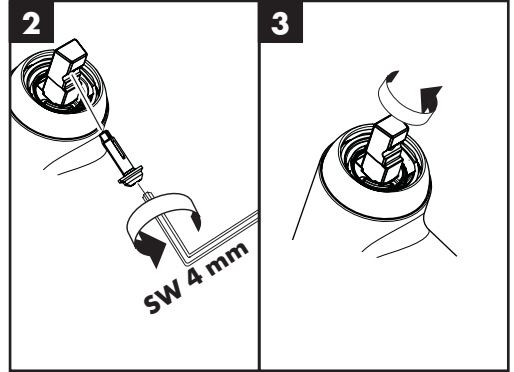
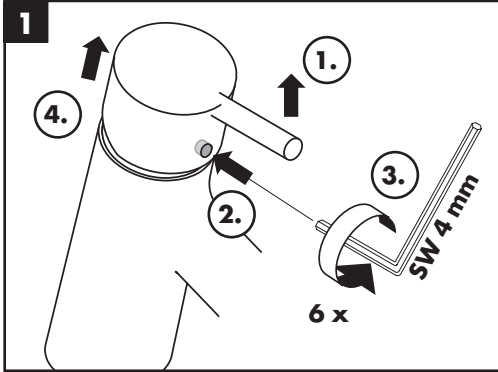
60 °C

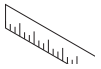


10 °C



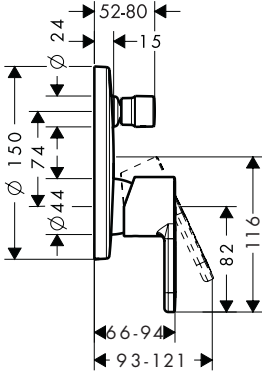
0,3 MPa





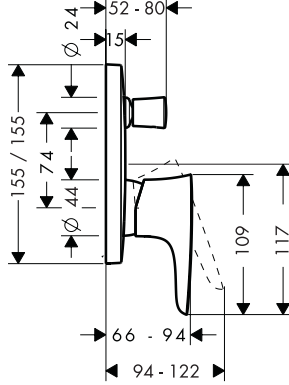
Metris S

14437007



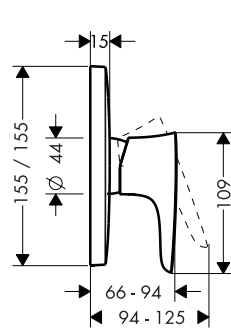
普丽唯 PuraVida

15445007 / 15445407



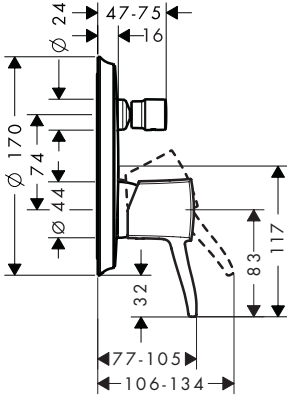
普丽唯 PuraVida

15665407



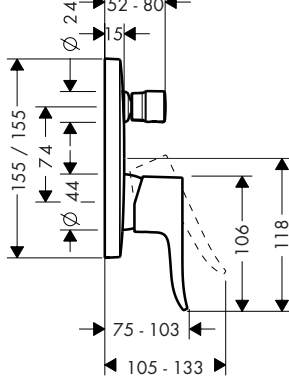
Metropol Classic

31345007 / 31345097



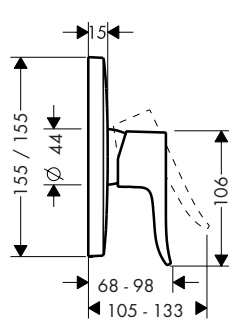
Metris

31454007



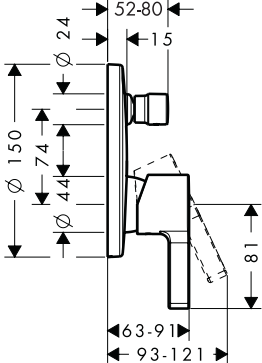
Metris

31456007



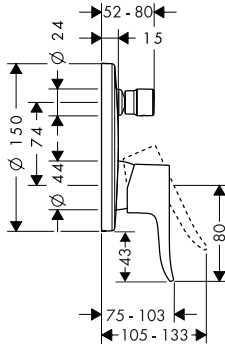
Metris S

31465007



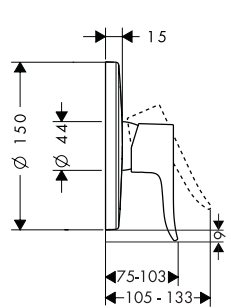
Metris

31493007



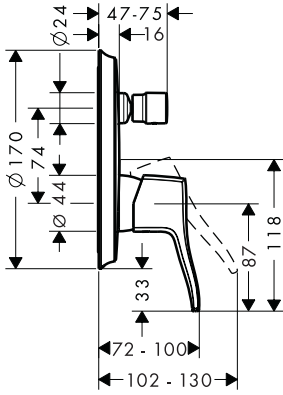
Metris

31685007

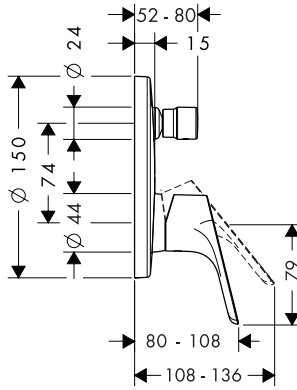




Metris Classic 31485007

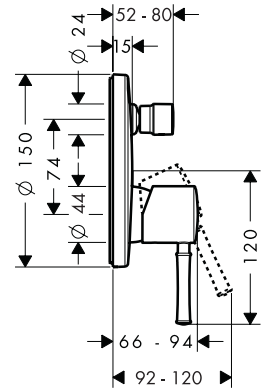


Focus 31945007

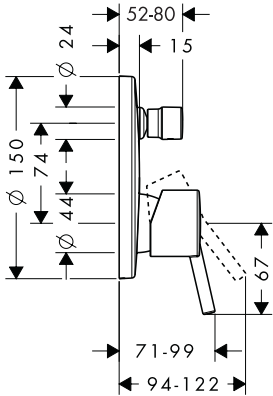


Talis Classic

14145007

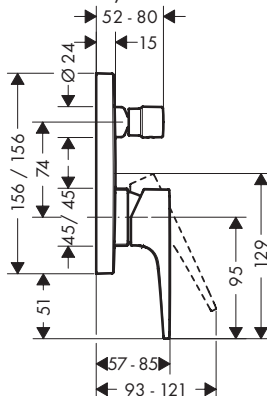


Talis S 32475007

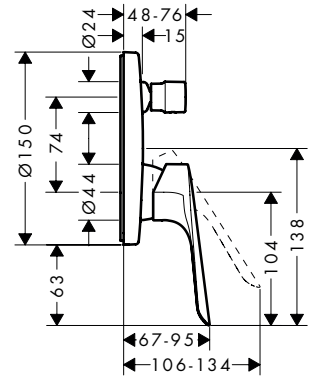


Metropol

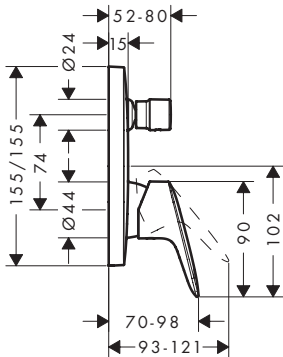
32545007 / 74545007



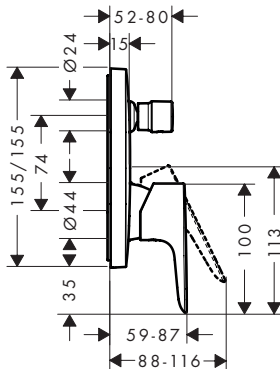
Logis E 71404007



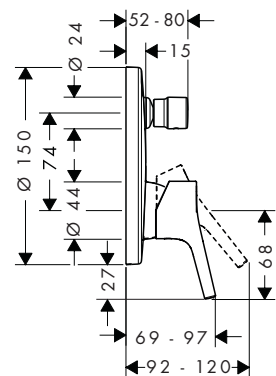
Logis 71405007

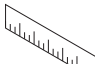


Talis E 71745007

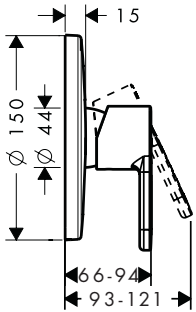


Talis S 72405007

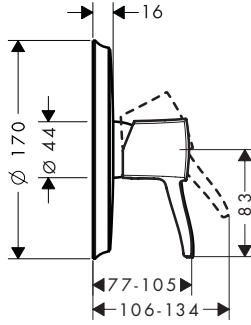




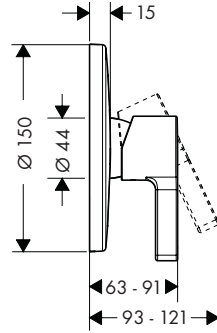
Metris S 14637007



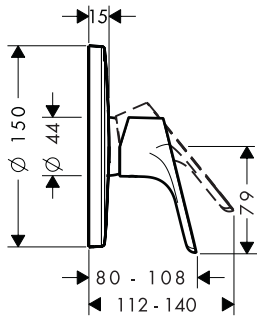
Metropol Classic
31365007 / 31365097



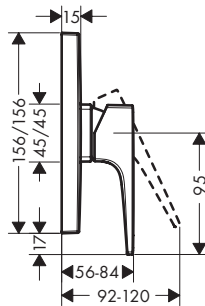
Metris S 31665007



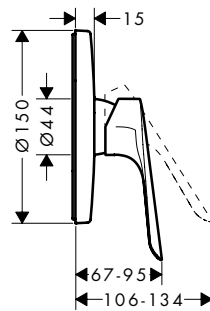
Focus 31965007



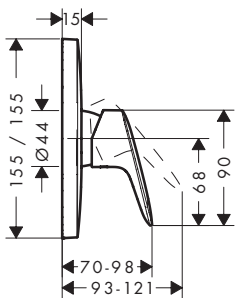
Metropol
32565007



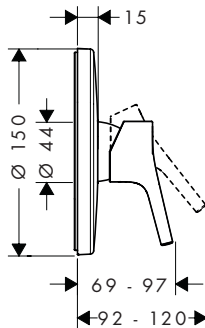
Logis E 71603007



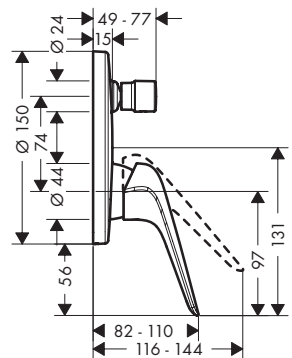
Logis 71605007



Talis S 72605007

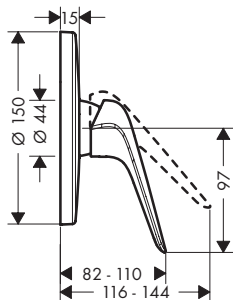


Novus 71045007



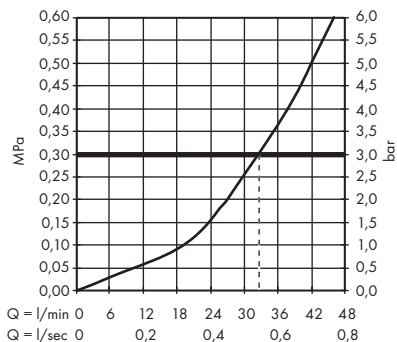
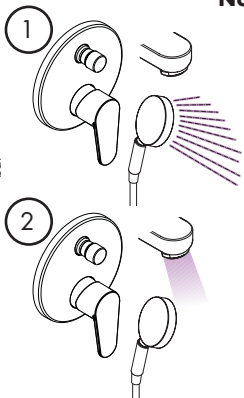
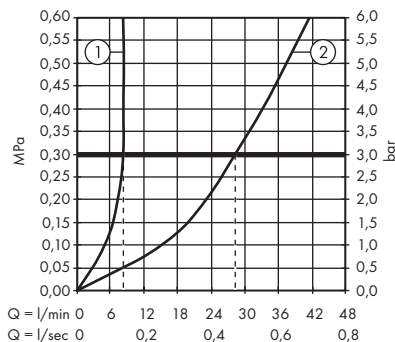


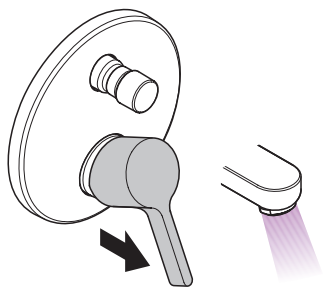
Novus 71065007



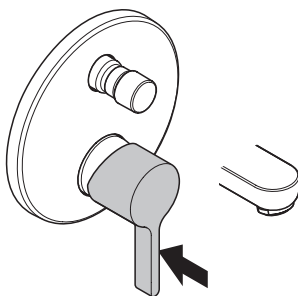
Metris S	14437007
普丽唯 PuraVida	15445007 / 15445407
Metropol Classic	31435007 / 31435097
Metris	31454007
Metris S	31465007
Metris Classic	31485007
Metris	31493007
Focus	31945007
Talis Classic	14145007
Talis S	32475007
Metropol	32545007
Logis E	71404007
Logis	71405007
Talis E	71745007
Talis S	72405007
Metropol	74545007
Novus	71045007

Metris S	14637007
普丽唯 PuraVida	15665407
Metris	31456007
Metropol Classic	31365007 / 31365097
Metris S	31665007
Metris	31685007
Focus	31965007
Metropol	32565007
Logis E	71603007
Logis	71605007
Talis S	72605007
Novus	71065007

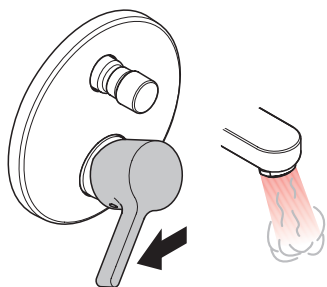




开 / open



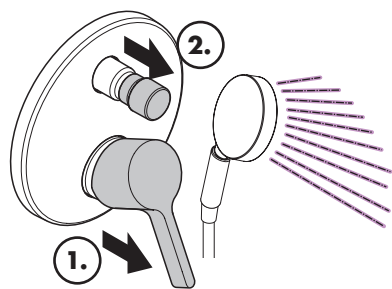
关 / close



热 / hot



冷 / cold



手持花洒 开 / hand shower open



手持花洒 关 / hand shower close



汉斯格雅产品的清洁建议

现代的卫浴龙头、厨房龙头、花洒、配件、盥洗台、浴盆和加热器采用的制造材料非常迥异，以适应产品外形设计和使用功能的市场需求。

为了避免产品损坏和由此引发的投诉及争议，必须在使用和清洁产品时遵循有关规程。

在保养汉斯格雅产品时，原则上必须注意：

- 只能使用那些有明确注明是适用于本产品的清洁剂。
- 不允许使用含有盐酸、蚁酸、氯漂或醋酸的清洁剂，因为这些清洁剂会给产品表面造成严重的损伤。
- 含磷酸的清洁剂必须在特定条件下使用。
- 不允许将两种以上清洁剂混合使用。
- 不允许使用具有研磨作用的清洁工具和设备，如不适合的清洁粉末、海绵垫或超细麦克布。
- 必须严格遵守清洁剂生产厂商的使用说明。
- 严格遵守清洁剂的用量和作用时间，决不允许清洁剂的作用时间长于规定值。
- 定期的清洁以预防水垢。
- 不允许将清洁剂直接喷射到汉斯格雅产品上，因为喷雾会进入汉斯格雅产品的开口部分和缝隙中而造成损害。首先将清洁剂喷在软布上，再用软布进行清洁。
- 清洁之后必须用足够的水冲洗，以彻底去除残留的吸附物（清洁剂）。
- 不允许使用蒸汽清洗机，高温会损害产品。

重要说明

肥皂，洗发水、沐浴液、染发剂、香水、刮胡子、指甲油的残留也会对产品造成损伤。

此处：使用后要小心地用清水将剩余物冲洗干净。

同样在产品下方不得存放洗涤剂 and 化学药品，例如不可放在用于洗脸盆的梳洗柜中否则挥发气体将损坏产品。

在已经损伤的表面继续使用清洁剂会给表面造成更大的损伤。



表面损坏的部件必须更换，否则会有受伤的危险。

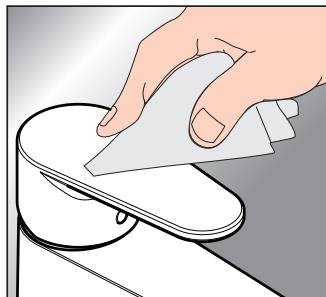
不按规定进行清洁而造成的任何损坏不在本公司产品保修范围之内。

QuickClean

有了QuickClean，手工清洁功能，要去掉喷头上的水垢，只需简单地搓除即可。

担保

Hansgrohe 向用户保证，该产品无制造缺陷。如果自购买之日起五年内出现缺陷，Hansgrohe 将免费排除。保证条件和详情见 www.hansgrohe-int.com/guarantee。在提出保修的权利时请联系您的合同方。本保证不涉及有关国家法律规定的消费权





Cleaning Recommendation for Hansgrohe Products

Today, modern sanitary and kitchen tapware, showers, accessories, washstands, tubs and radiators consist of very different materials to comply with the needs of the market with regard to design and functionality.

To avoid damage and reclamations, it is necessary to consider certain criteria when cleaning.

With regard to caring for the Hansgrohe products, the following must in principle be heeded:

- Only use cleaning material which is explicitly provided for this type of application.
- Never use cleaning materials, which contain hydrochloric acid, formic acid, chlorine pale lye or acetic acid, as they cause considerable damage.
- Phosphorus acidic cleaners are only conditionally applicable.
- Mixing cleaning agents is not permitted, generally.
- Never use cleaning materials or appliances with an abrasive effect, such as unsuitable cleaning powders, sponge pads or micro fibre cloths.
- The instructions of the cleaning agent manufacturers have to be followed absolutely.
- Cleaning has to be carried out with a specified cleaner dosage, contact time, object-related and adapted to the needs.
- The building up of calcifications has to be removed by cleaning regularly.
- When using spray cleaners, spray the cleaning solution onto a soft cloth or sponge, never directly onto the Hansgrohe products, as the atomised spray could enter openings and gaps in the Hansgrohe products and cause damage.

- After cleaning rinse thoroughly with clean water to remove any cleaner residue.
- The use of steam cleaners is not permitted. The high temperatures can damage the products.

Important

Residues of toiletries such as liquid soaps, shampoos and shower gels, hair dyes, perfumes, aftershave and nail varnish can also cause damage.

Here too: Carefully rinse with water after use to remove residues.

Likewise, do not store any cleaning agents or chemicals under the products, for example in a vanity unit, as the vapours may damage the products.

The damage of already damaged surfaces will deteriorate under the effect of the cleansers.



Components with damaged surfaces must be exchanged, otherwise there could be an injury danger.

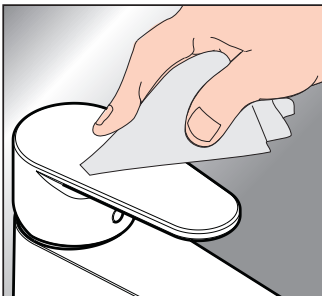
Damage caused by improper treatment will not be covered by our guarantee.

QuickClean

The QuickClean cleaning function only needs a small manual rub over to remove the lime scale from the spray channels.

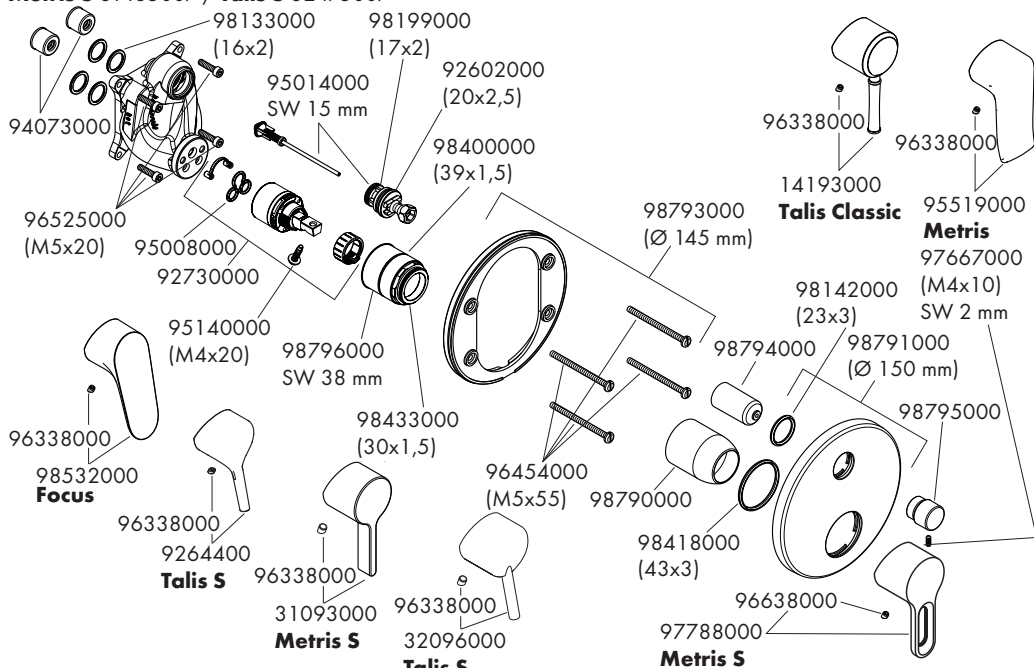
Warranty

Hansgrohe guarantees to the consumer that this product is free of production faults. If nevertheless any defect is detected within 5 years from date of purchase, Hansgrohe will remedy this defect free of charge. You will find the conditions and details of this guarantee at www.hansgrohe-int.com/guarantee. Please contact your contracting party to claim your rights under this guarantee. This guarantee does not affect the customer's rights under the respective national legislation.

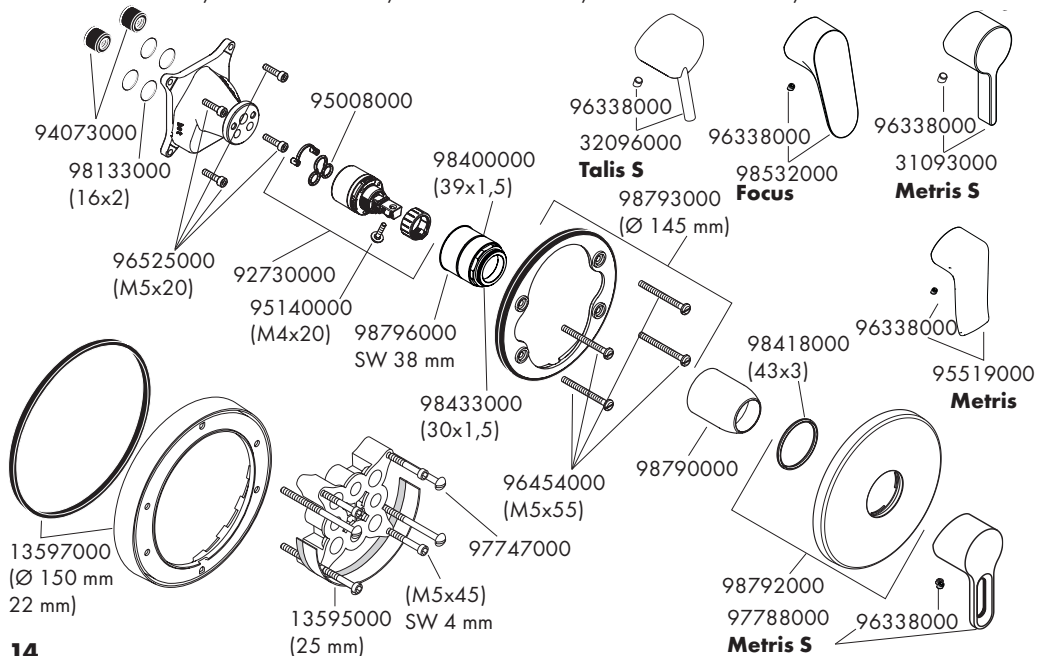




Talis Classic 14145007 / **Metris S** 14437007 / **Metris** 31493007 / **Focus** 31945007 / **Talis S** 72405007 / **Metris S** 31465007 / **Talis S** 32475007

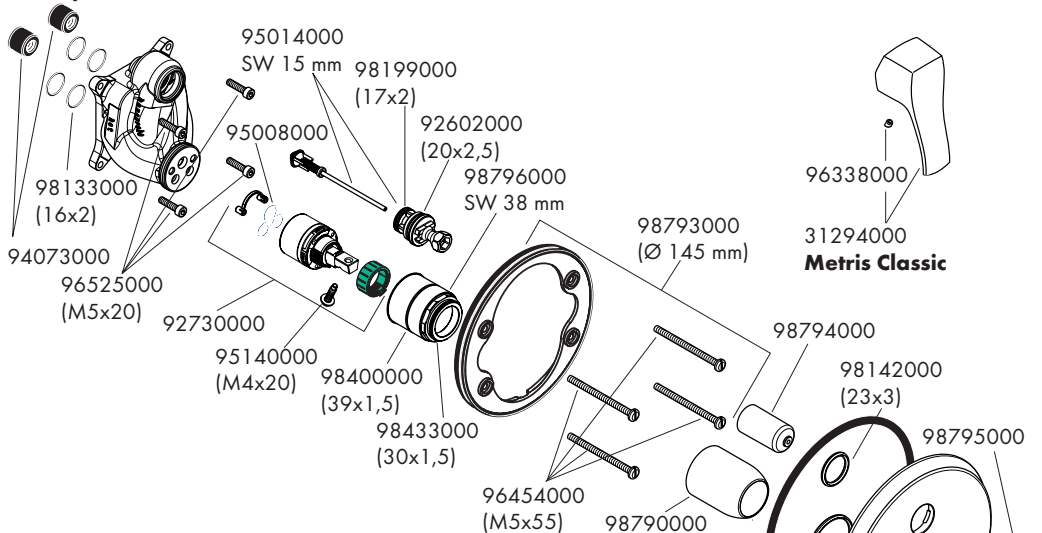


Metris S 14637007 / **Focus** 31965007 / **Talis S** 72605007 / **Metris S** 31665007 / **Metris** 31685007

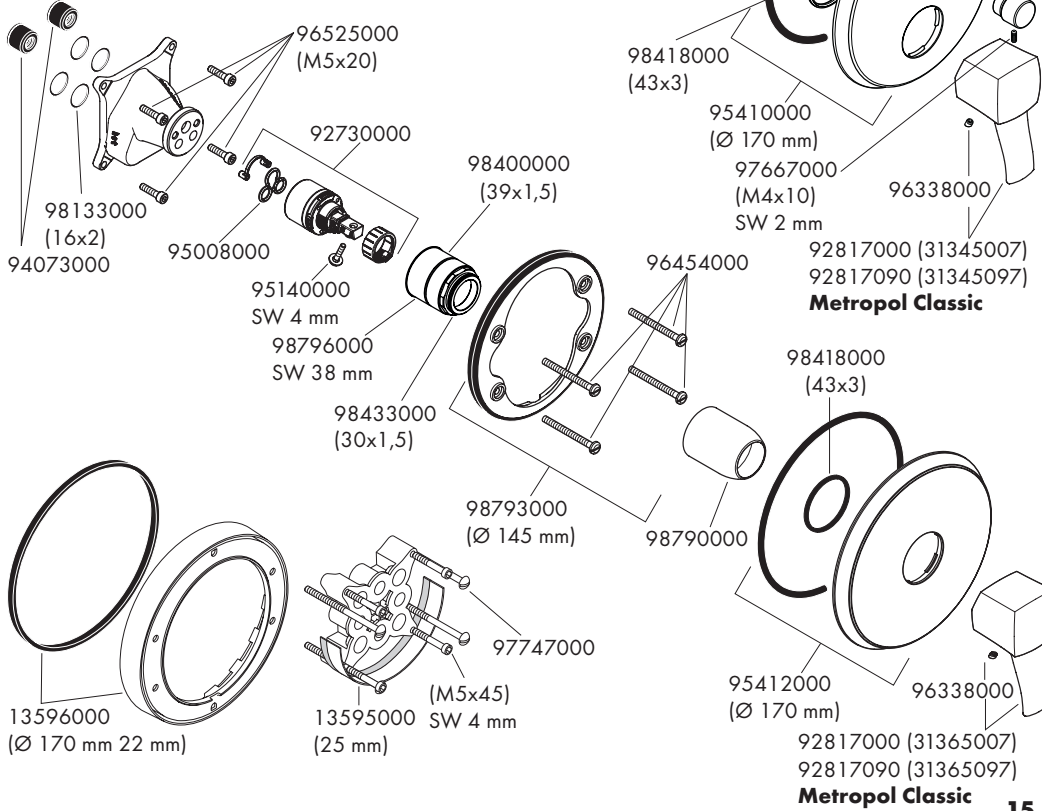




Metropol Classic 31345007 / 31345097 / Metris Classic 31485007

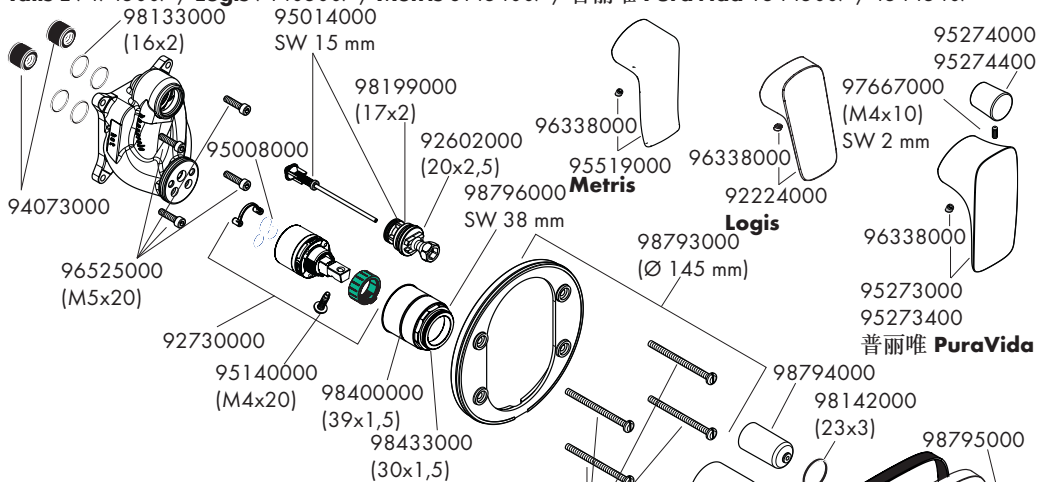


Metropol Classic 31365007 / 31365097

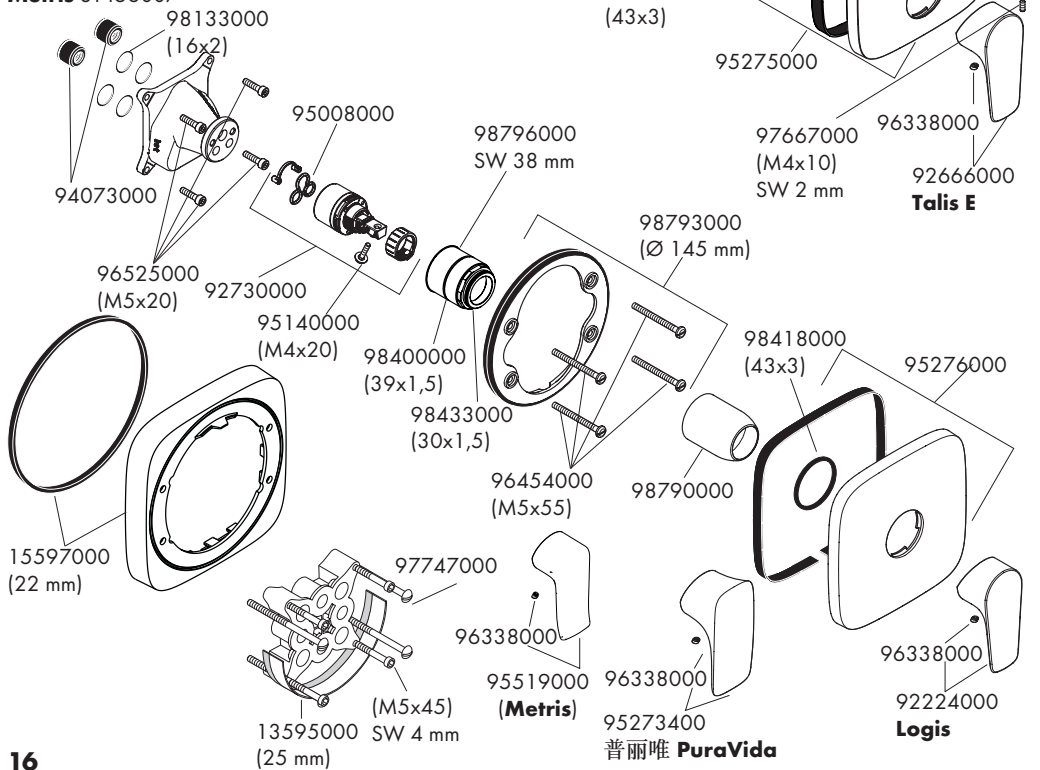




Talis E 71745007 / Logis 71405007 / Metris 31454007 / 普丽唯 PuraVida 15445007 / 15445407

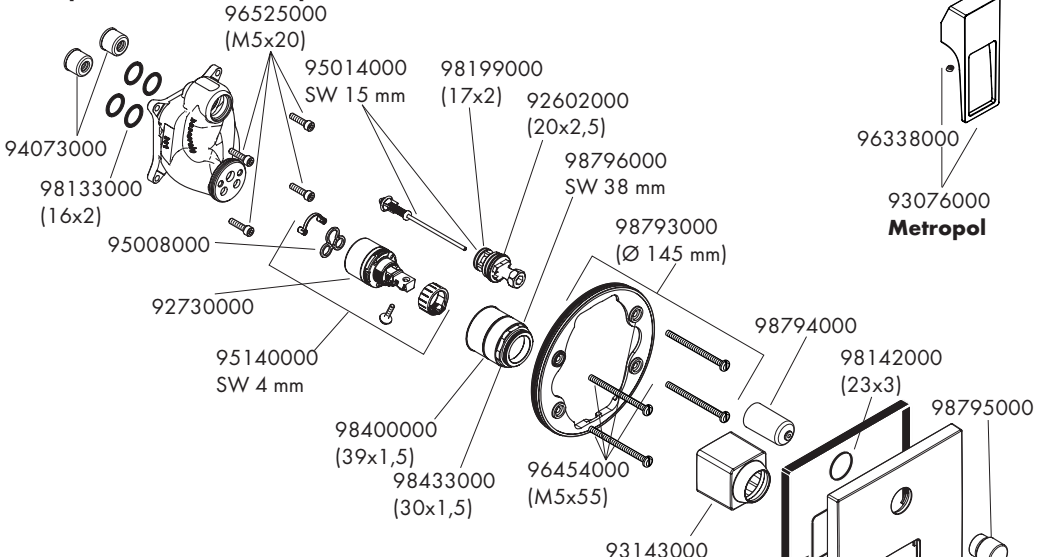


Logis 71605007 / 普丽唯 PuraVida 15665407 / Metris 31456007

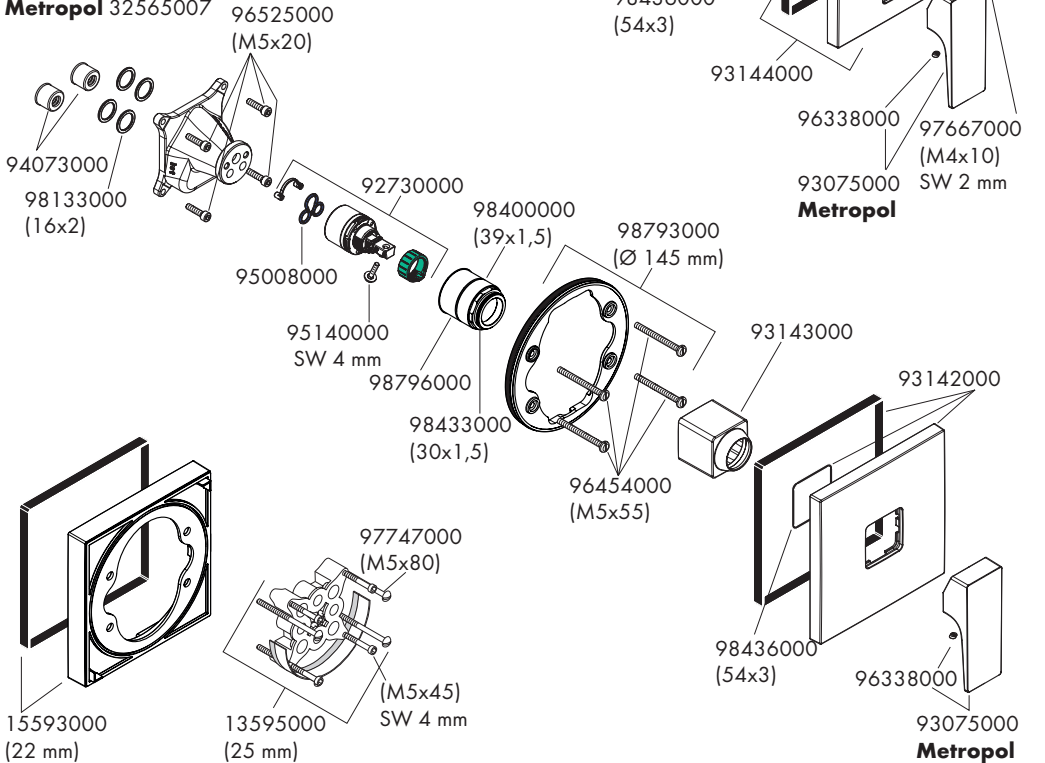




Metropol 32545007 / Metropol 74545007

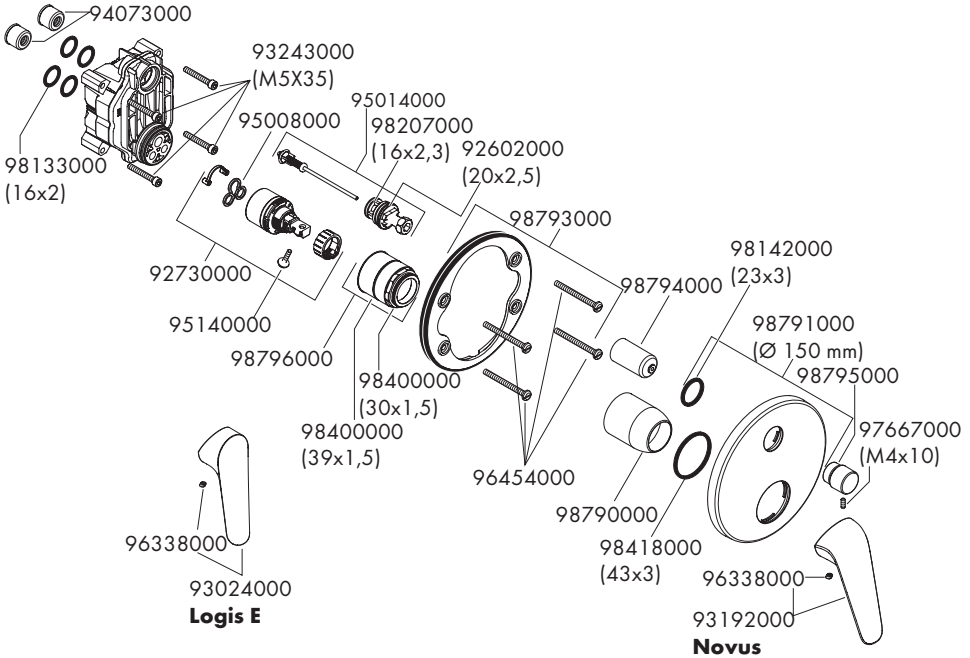


Metropol 32565007

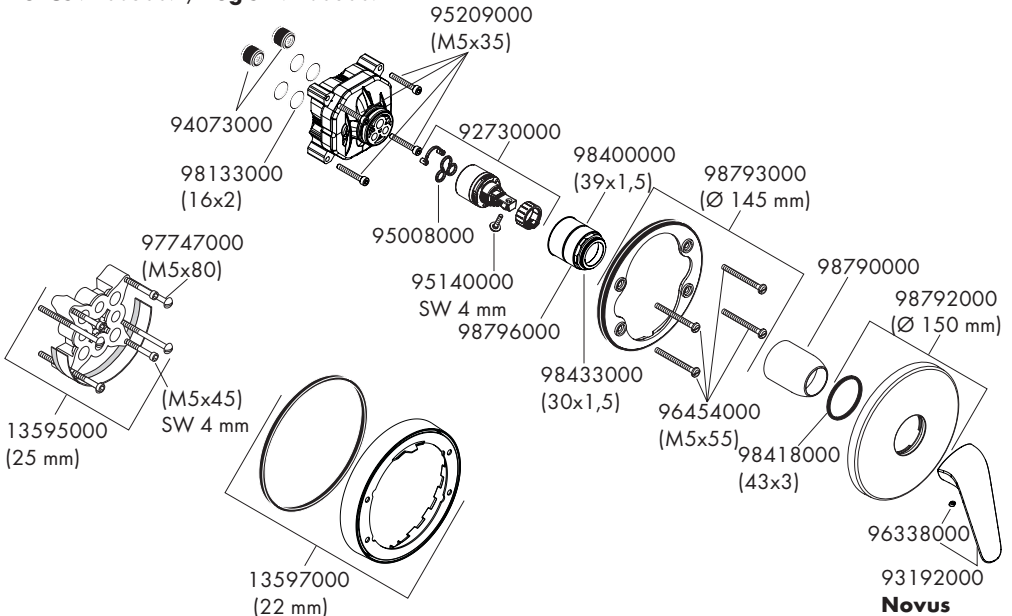




Novus 71045007 / Logis E 71404007



Novus 71065007 / Logis E 71603007



hansgrohe

Hansgrohe · AuestraÙe 5 · 9 · D-77761 Schiltach · Telefon +49 (0) 78 36/51-1282 · Telefax +49 (0) 7836/511440
E-Mail: info@hansgrohe.com · Internet: www.hansgrohe.com

07/2018
9,04717,07