

AXOR Universal Accessories

Shower door handle 444 mm

Surfaces: **Chrome** Article Number: **42837000**



Description

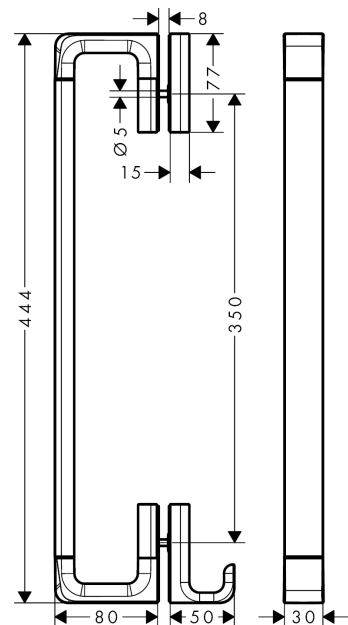
product features

- thickness of glass: 6 - 12 mm
- diameter drill hole: 6 mm
- drilling distance 350 mm
- material: metal
- can be used simultaneously as a bath towel holder

Product image



Scale drawing

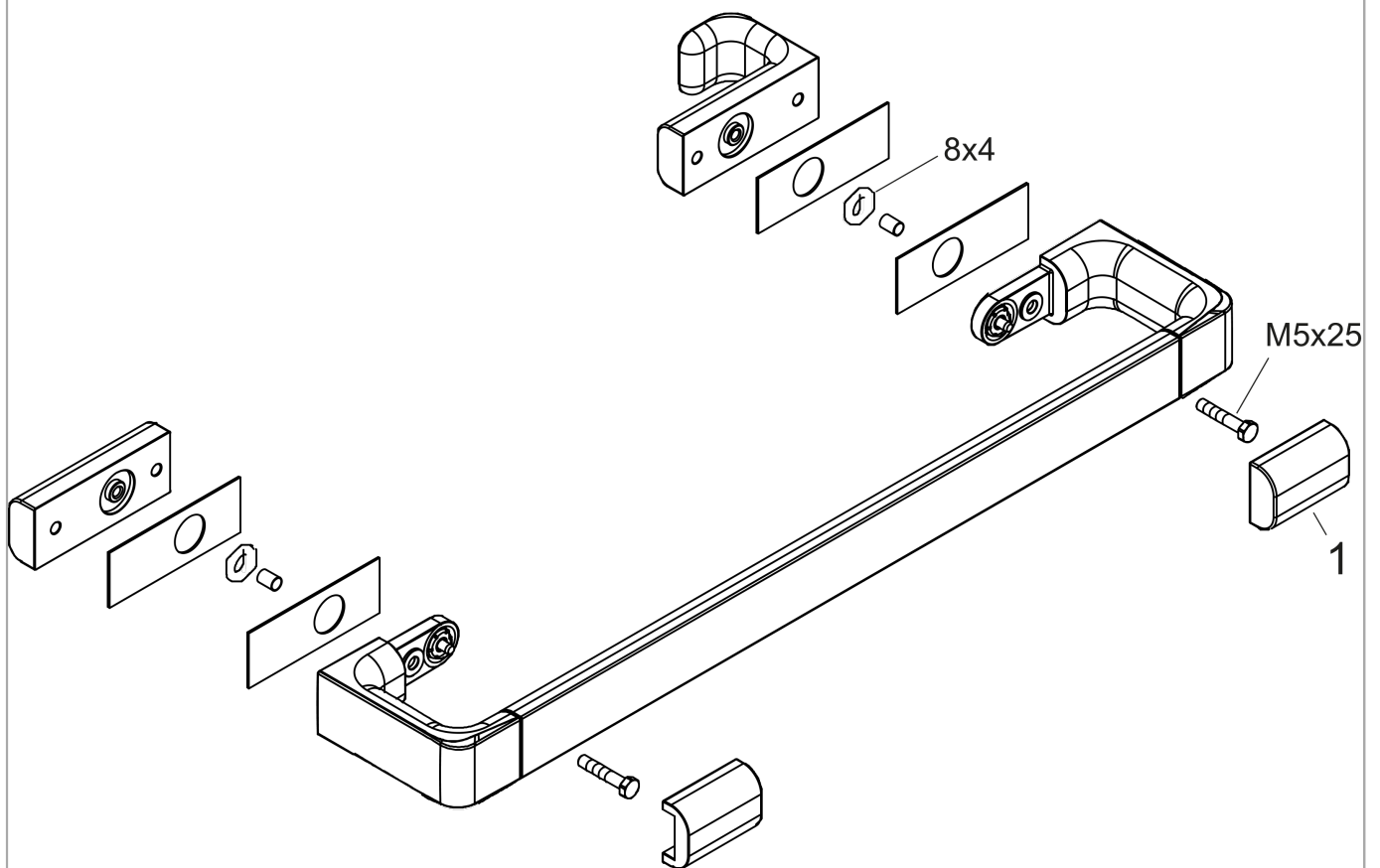


AXOR Universal Accessories
Shower door handle 444 mm
Surfaces: **Chrome** Article Number: **42837000**



Exploded Drawing

Year of production: >06/17



AXOR Universal Accessories
Shower door handle 444 mm
 Surfaces: **Chrome** Article Number: **42837000**



Spare part list

Year of production: >06/17

| Pos. | Description | Article Number | PC | PU |
|------|---------------|----------------|----|----|
| 1 | set of covers | 42871000 | 0 | 1 |