

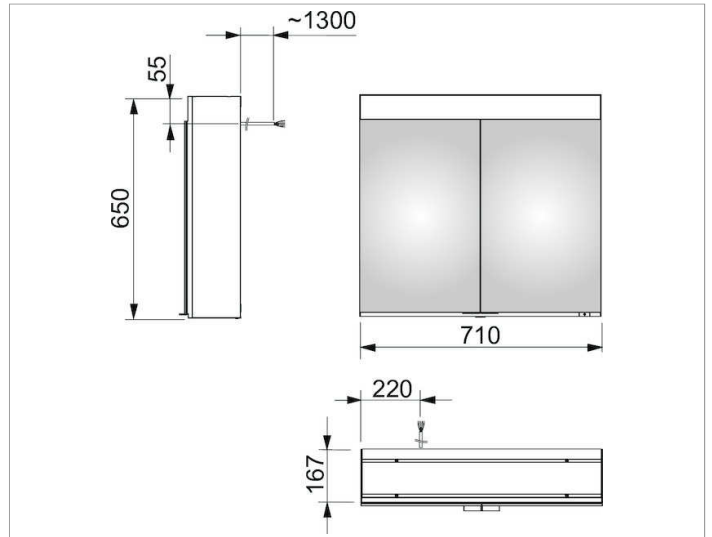
Edition 400

21531171331 Mirror cabinet

**PRODUCT**



**DRAWING**



**PRODUCT ATTRIBUTES**

wall mounted,  
 1 light colour, 4000 kelvin (neutral white)  
 2 hinged double sided crystal mirrored doors,  
 Body: aluminium silver anodized  
 Body panels made from rear-lacquered white glass,  
 interior rear wall mirrored  
 Operation:  
 key panel with capacitive touch sensor,  
 optional to be operated via the light switch  
 Illumination:  
 LED 26 watt (lifespan > 30.000 hours)  
 infinitely dimmable, lamps non-exchangeable  
 EEK: A++, A+, A , 26 kWh/1000h

**EQUIPMENT**

- 1 shaver socket
- 3 adjustable glass shelves
- storage box with slidable glass lid
- interior lighting
- soft-closing doors

**SURFACE**

silver anodized

**DIMENSION**

710 x 650 x 167 mm