

Vernis Blend

Electronic basin mixer for cold water or pre-adjusted water mains connection 230 V

Surfaces: **Chrome** Article Number: **71504000**



Description

product features

- ComfortZone 100
- projection 112 mm
- spray type: normal spray
- swiveling spray former
- for cold water or pre-adjusted/conditioned water
- with isolated water conduction - without contact with nickel and lead
- infrared sensor technology
- automatic environmental adjustment of infrared sensor
- 230 V / 50 Hz mains connection
- flushing time adjustable
- flushing time: 10 s, 20 s, 30 s
- hygiene rinse activatable (automatic water flow)
- frequency of hygiene rinse: 24 h, 48 h, 72 h
- flushing time hygiene rinse: 10 s, 20 s, 30 s
- permanent rinse activatable (single water flow for 200 seconds, suitable for thermal disinfection)
- cleaning mode: manual water stop for washbasin cleaning
- connection dimension: DN15
- dirt filter in the connection hose
- frequency of hygiene rinse and flushing time hygiene rinse are dependent on each other (24 h - 10 s, 48 h - 20 s, 72 h - 30 s)

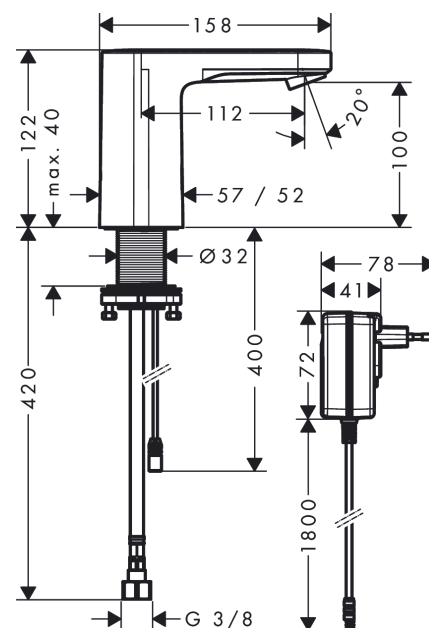
Technology



Product image



Scale drawing



Vernis Blend

Electronic basin mixer for cold water or pre-adjusted water mains connection 230 V

Surfaces: **Chrome** Article Number: **71504000**



Flowchart



Vernis Blend

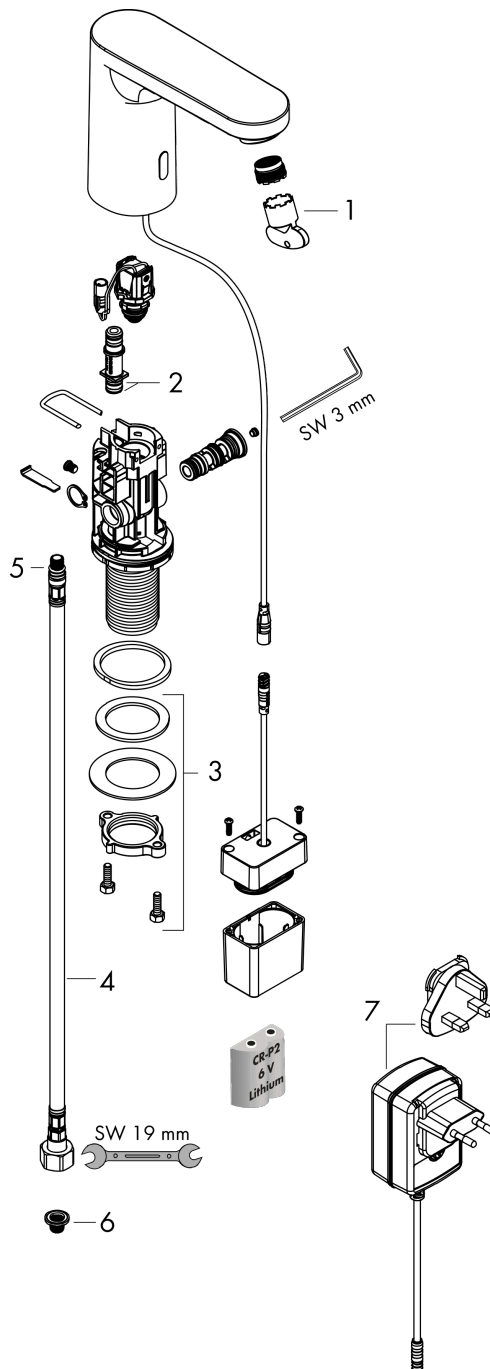
Electronic basin mixer for cold water or pre-adjusted water mains connection 230 V

Surfaces: **Chrome** Article Number: **71504000**



Exploded Drawing

Year of production: >09/21



Vernis Blend

Electronic basin mixer for cold water or pre-adjusted water mains connection 230 V

Surfaces: **Chrome** Article Number: **71504000**



Spare part list

Year of production: >09/21

Pos.	Description	Article Number	Price	PU
1	service tool	93750000	-	1
2	O-ring 8x1,5	98423000	-	1
3	fixing set (Ø 32)	13961000	-	1
4	connection hose 450 mm M8x0,75 G3/8	93405000	-	1
5	O-ring 7x1,5	98422000	-	1
6	filter packing	95291000	-	1
7	transformer	94269000	-	1
a	-	15346000	-	1
b	fixation extension 35 mm	13898000	-	1