

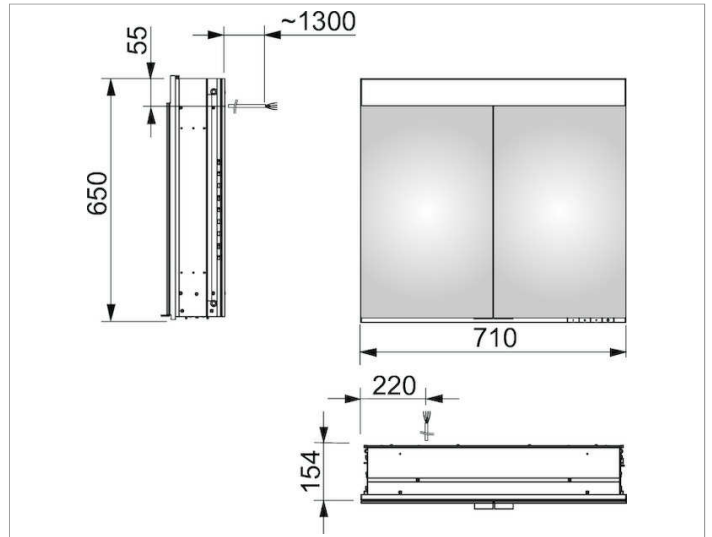
Edition 400

21501171331 Mirror cabinet

PRODUCT



DRAWING



PRODUCT ATTRIBUTES

for recessed installation,
 adjustable light colour from 2700 kelvin (warm white)
 to 6500 kelvin (daylight),
 2 hinged double sided crystal mirrored doors,
 Body: aluminium silver anodized
 interior rear wall mirrored
 Operation:
 key panel with capacitive touch sensor,
 integrated extension function for e.g. light switch
 Illumination:
 LED 26 watt (lifespan > 30.000 hours)
 infinitely dimmable, lamps non-exchangeable
 EEK: A++, A+, A , 26 kWh/1000h

EQUIPMENT

- 1 shaver socket
- 3 adjustable glass shelves
- storage box with slidable glass lid
- interior lighting
- soft-closing doors

SURFACE

silver anodized

DIMENSION

710 x 650 x 154 mm