

AXOR Uno

Single lever basin mixer for concealed installation loop handle wall-mounted 165

Surfaces: **Brushed Nickel** Article Number: **38121820**



Description

product features

- consists of: Single lever basin mixer for concealed installation wall-mounted, waste set
- projection 165 mm
- normal spray
- flow rate at 3 bar: 5 l/min
- ceramic cartridge
- temperature limitation adjustable
- suitable for continuous flow water heaters
- non-closing waste set
- connection dimension: DN15
- handle can be positioned on the right or left, depends on the basic set installation

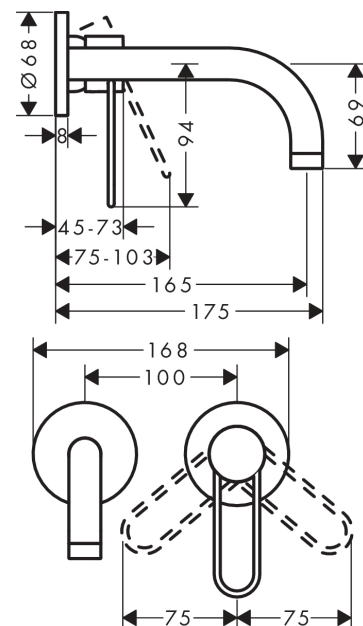
Technology



Product image



Scale drawing



AXOR Uno

Single lever basin mixer for concealed installation loop handle wall-mounted 165

Surfaces: **Brushed Nickel** Article Number: **38121820**



Flowchart



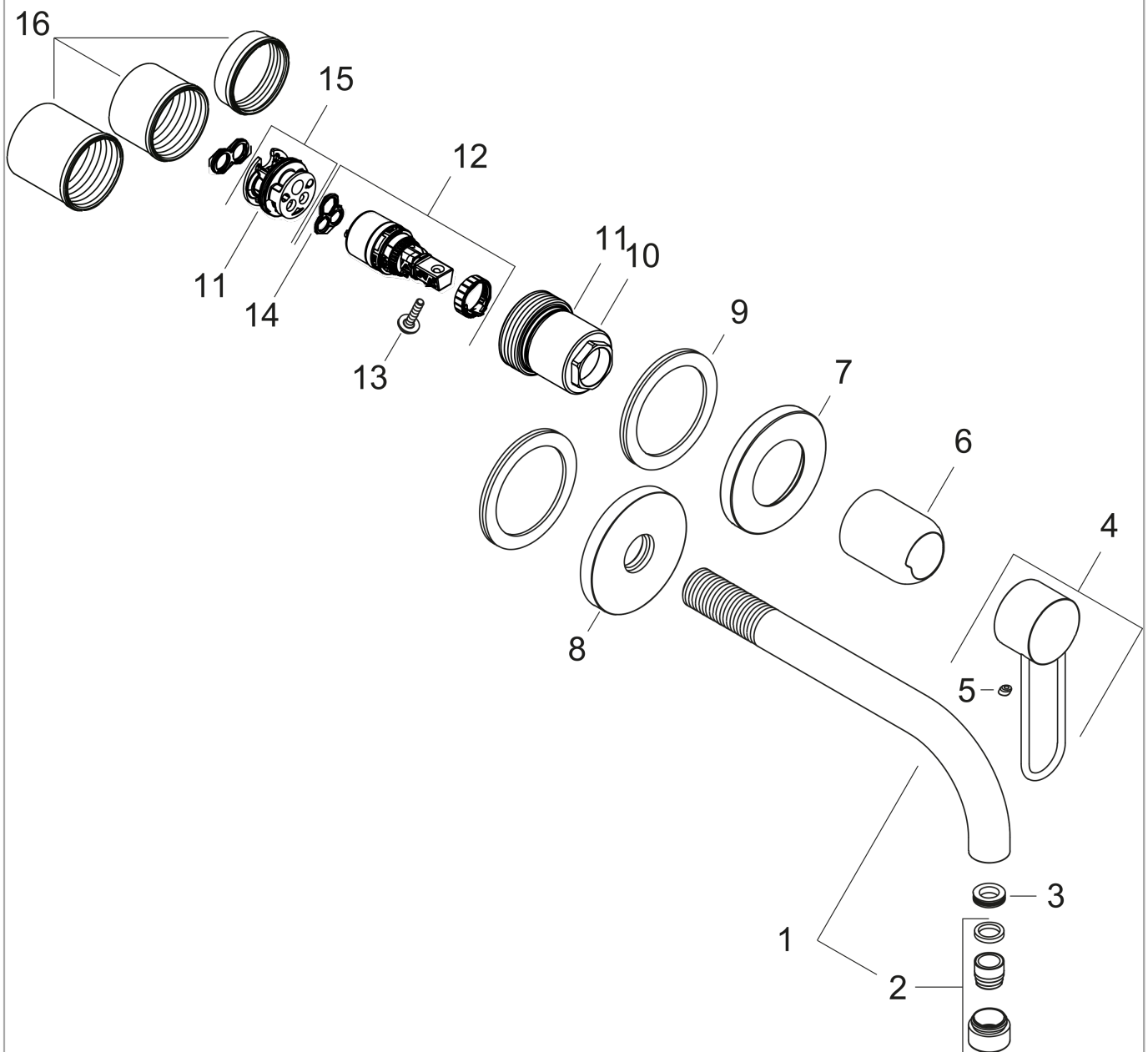
- ① With flow limiter
- ② Without flow limiter

AXOR Uno
Single lever basin mixer for concealed installation loop handle wall-mounted 165
Surfaces: **Brushed Nickel** Article Number: **38121820**



Exploded Drawing

Year of production: >07/17



AXOR Uno

Single lever basin mixer for concealed installation loop handle wall-mounted 165

Surfaces: **Brushed Nickel** Article Number: **38121820**



Spare part list

Year of production: >07/17

Pos.	Description	Article Number	PC	PU
1	spout 160 mm	97369820	0	1
2	aerator M18x1 (5 l/min)	95387820	0	1
3	O-ring 13x1,5	98475000	0	1
4	handle	93054820	0	1
5	screw cover	96338000	0	1
6	sleeve	93053820	0	1
7	escutcheon Ø 68 mm	93052820	0	1
8	escutcheon for spout	96910820	0	1
9	washer	97600000	0	1
10	nut	93141000	0	1
11	O-ring 26x2	98147000	0	1
12	cartridge, assy	97685000	0	1
13	locking screw for handle	95140000	0	1
14	seal	98865000	0	1
15	adapter for cartridge	95634000	0	1
16	fixing set	97971000	0	1
a	pop up waste	50001820	0	1