

Finoris

Single lever basin mixer 110 with push-open waste set

Surfaces: **Matt White** Article Number: **76023700**



Description

product features

- consists of: single lever basin mixer, waste set
- ComfortZone 110
- projection 139 mm
- spray type: laminar spray
- maximum flow rate at 3 bar: 5 l/min
- ceramic cartridge
- temperature limitation adjustable
- suitable for continuous flow water heaters
- push-open waste set G 1¼
- material waste set: metal
- connection type: G ¾ connections
- connection dimension: DN15

Technology



Design awards

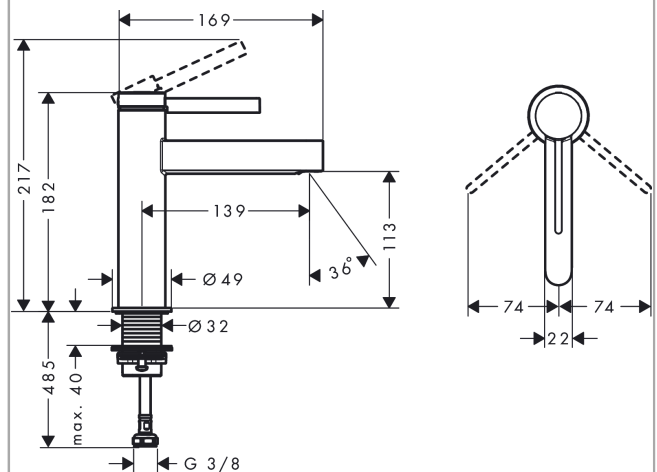


reddot winner 2021

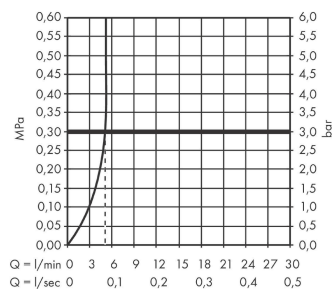
Product image



Scale drawing



Flowchart

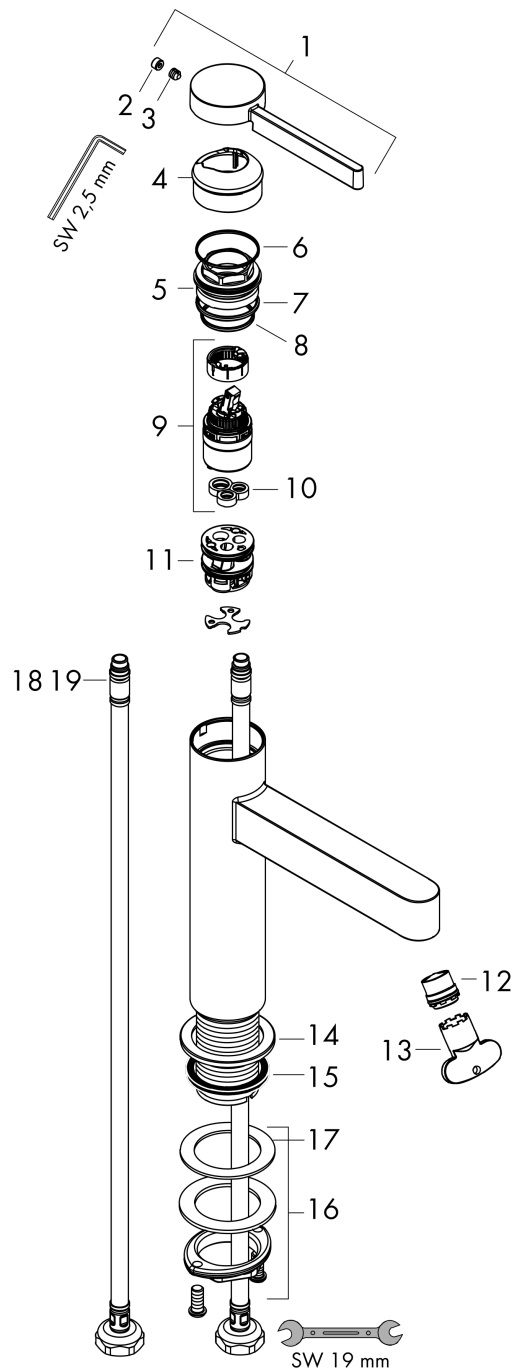


Finoris
Single lever basin mixer 110 with push-open waste set
 Surfaces: **Matt White** Article Number: **76023700**



Exploded Drawing

Year of production: >06/21



Finoris**Single lever basin mixer 110 with push-open waste set**Surfaces: **Matt White** Article Number: **76023700****Spare part list**

Year of production: >06/21

| Pos. | Description | Article Number | Price | PU |
|------|-------------------------------------|----------------|-------|----|
| 1 | handle | 94266700 | - | 1 |
| 2 | screw cover | 93735460 | - | 1 |
| 3 | hollow set screw M5x5 | 98446000 | - | 1 |
| 4 | flange | 93737700 | - | 1 |
| 5 | nut | 92926000 | - | 1 |
| 6 | O-ring 30x1,5 | 98433000 | - | 1 |
| 7 | O-ring 29x2 | 98391000 | - | 1 |
| 8 | O-ring 25x1,5 | 98146000 | - | 1 |
| 9 | cartridge, assy | 93760000 | - | 1 |
| 10 | seal | 93383000 | - | 1 |
| 11 | adapter for cartridge | 98866000 | - | 1 |
| 12 | spray former | 93973000 | - | 1 |
| 13 | special tool | 98987000 | - | 1 |
| 14 | escutcheon | 94265700 | - | 1 |
| 15 | flat seal | 98749000 | - | 1 |
| 16 | fixing set (Ø 32) | 13961000 | - | 1 |
| 17 | lever collar | 97548000 | - | 1 |
| 18 | connection hose 600 mm M8x0,75 G3/8 | 96556000 | - | 1 |
| 19 | O-ring 6,6x1,6 | 93019000 | - | 1 |
| a | push-open waste set | 50100700 | - | 1 |
| b | fixation extension 35 mm | 13898000 | - | 1 |