

Vivenis

Single lever bath mixer for exposed installation

Surfaces: **Chrome** Article Number: **75420000**



Description

product features

- 2 functions
- projection 216 mm
- connection type: s-shaped connections
- centre distance: 150 ± 12 mm
- spray type mixer: WaterfallStream
- maximum flow rate at 3 bar: 19,4 l/min
- flow rate for bath spout at 3 bar: 19,4 l/min
- min. operating pressure: 1 bar
- max. operating pressure: 10 bar
- ceramic cartridge
- temperature limitation adjustable
- pressure diverter Select with automatic resetting
- intrinsically safe against backflow
- with silencer
- suitable for continuous flow water heaters
- connection dimension: DN15

Technology



Design awards

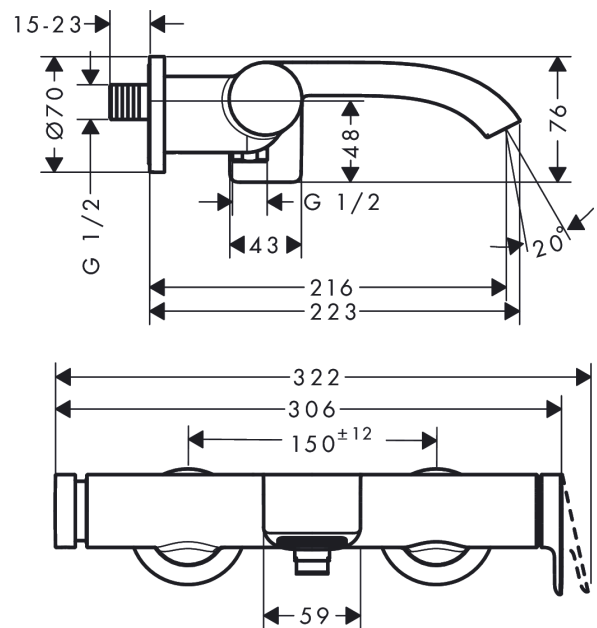


reddot winner 2021

Product image



Scale drawing



Vivenis
Single lever bath mixer for exposed installation
 Surfaces: **Chrome** Article Number: **75420000**



Flowchart

