

AXOR Uno
Single lever bath mixer for exposed installation loop handle
 Surfaces: **Brushed Nickel** Article Number: **38421820**



Description

product features

- projection 203 mm
- connection type: s-shaped connections
- centre distance: 150 ± 16 mm
- spray type mixer: normal spray
- flow rate at 3 bar: 22 l/min
- ceramic cartridge
- min. operating pressure: 1 bar
- max. operating pressure: 10 bar
- temperature limitation adjustable
- with automatic resetting
- non-return valve
- with silencer
- suitable for continuous flow water heaters
- connection dimension: DN15

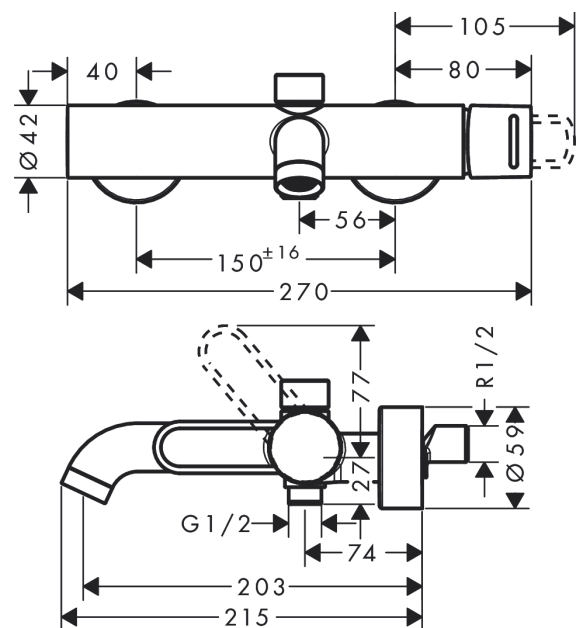
Technology



Product image



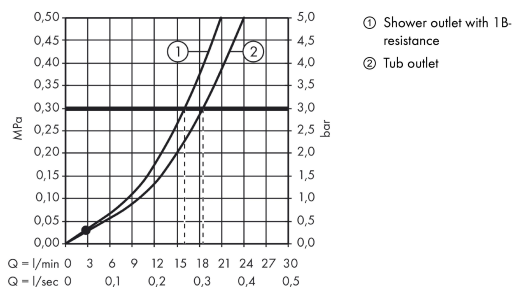
Scale drawing



AXOR Uno
Single lever bath mixer for exposed installation loop handle
 Surfaces: **Brushed Nickel** Article Number: **38421820**



Flowchart

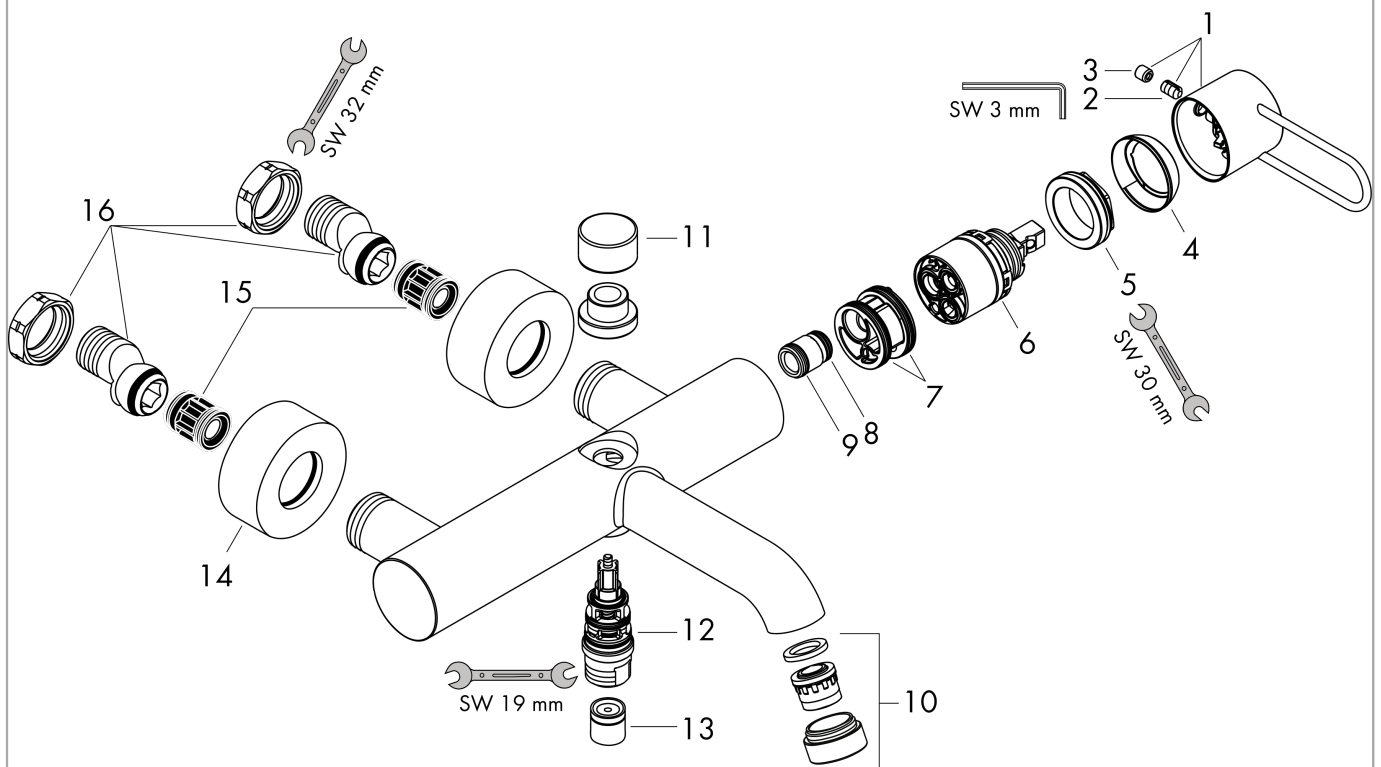


AXOR Uno
Single lever bath mixer for exposed installation loop handle
Surfaces: **Brushed Nickel** Article Number: **38421820**



Exploded Drawing

Year of production: >04/17



AXOR Uno
Single lever bath mixer for exposed installation loop handle
 Surfaces: **Brushed Nickel** Article Number: **38421820**



Spare part list

Year of production: >04/17

Pos.	Description	Article Number	PC	PU
1	handle	93073820	0	1
2	screw cover	96762000	0	1
3	hollow set screw M6x10 DIN 916	96029000	0	1
4	flange	98603820	0	1
5	nut	97209000	0	1
6	cartridge, assy	92730000	0	1
7	O-ring 29x2	98391000	0	1
8	O-ring 11x2	98127000	0	1
9	O-ring 12x2	98214000	0	1
10	aerator M24x1 (25 l/min)	97356000	0	1
11	diverter knob	97355820	0	1
12	selector assy	94077000	0	1
13	set of non return valves DW 15	94074000	0	1
14	escutcheon Ø 59 mm	97507820	0	1
15	noise reduction	96429000	0	1
16	set of S-unions with nuts	96742000	0	1